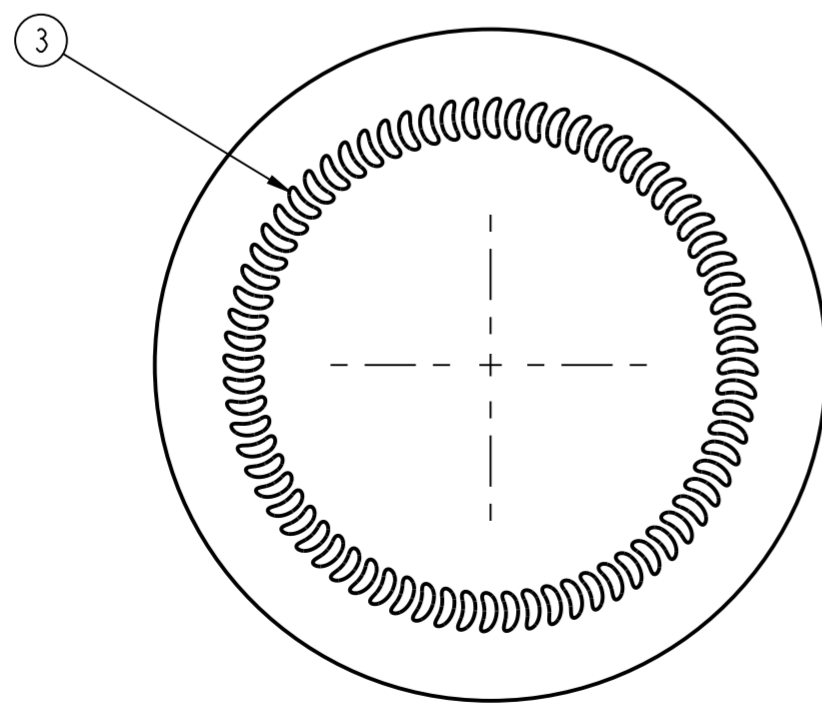
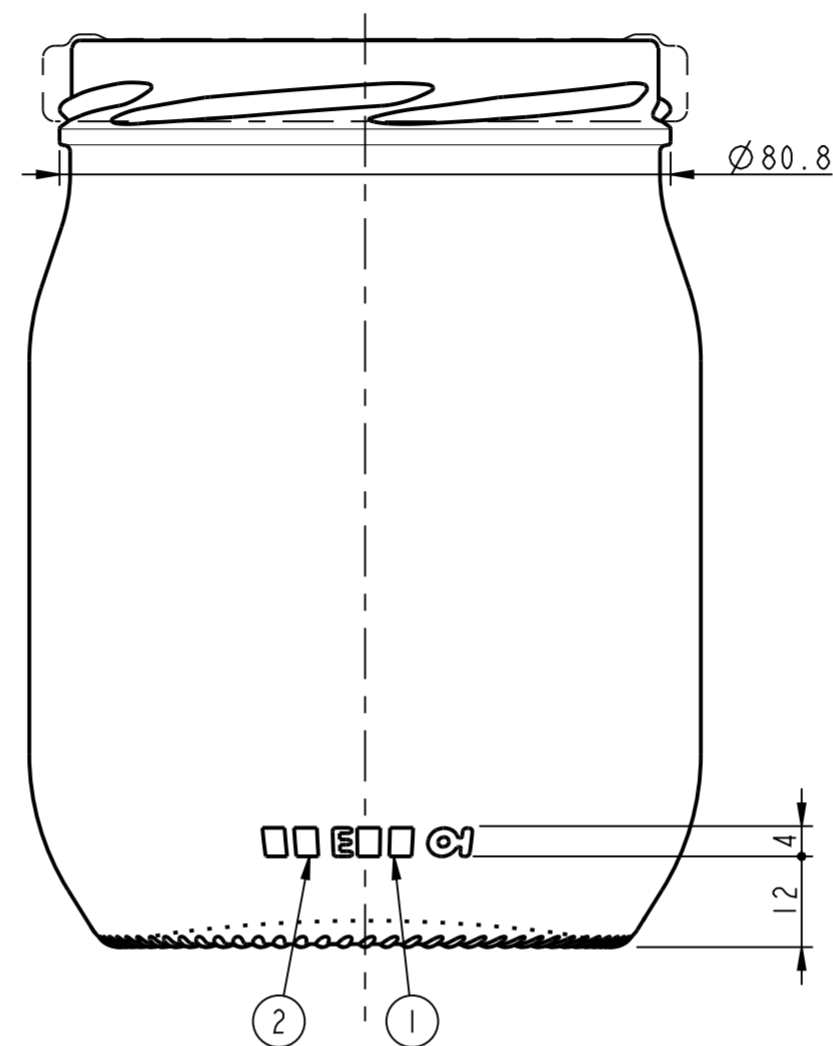
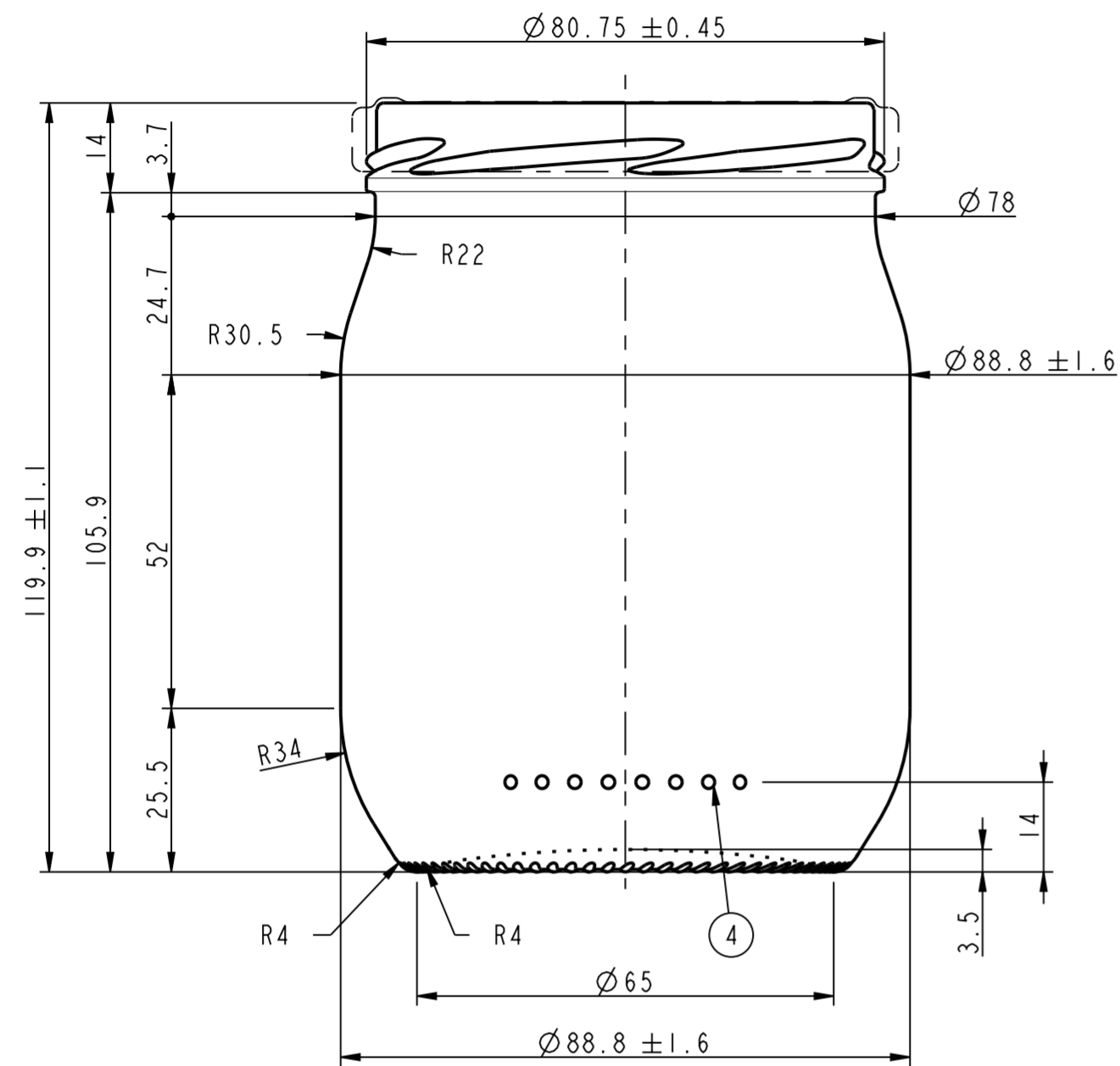


MODELE SOUS DIMENSIONNE



1 = TRADEMARK
 2 = CAVITY No.
 3 = STIPPLING
 THE SHAPE OF STIPPLES IS ONLY AN INDICATION AND THE CONSTRUCTION IS AT THE PRODUCTION PLANT DISCRETION.
 4 = CAVITY CODE

SCALE 1:1

GLASS IS LIFE™

O-I makers of pure, sustainable, brand-building glass packaging

O-I Manufacturing France

64 bd du 11 Novembre 1918 - BP 1228
 69611 Villeurbanne Cedex, France
 Tel. +33 (0)42686500

**CONTAINER & MOULD ENGINEERING
 EUROPE**

NOTES:
 THIS DRAWING IS THE PROPERTY OF O-I AND MUST NOT BE REPRODUCED OR DISCLOSED WITHOUT O-I WRITTEN AUTHORIZATION.

DIMENSIONS EXPRESSED IN mm
 ONLY TOLERANCED DIMENSIONS ARE GUARANTEED.

MANUFACTURING MARKINGS SHOWN ARE FOR ILLUSTRATIVE PURPOSES ONLY, ACTUAL MARKINGS ON CONTAINER MAY DIFFER, DEPENDANT ON LOCAL LEGISLATION.

| | |
|---|--|
| HEAT TREATMENT XX °C maxi | CARBONATION XX g CO2/l maxi |
| VERTICAL LOAD 150 daN maxi | THERMAL SHOCK 42 °C maxi |
| CATEGORY FOOD | TILT ANGLE 30.47° |
| MAX. VERTICALITY TOLERANCE 1.5 mm | MEASURING CONTAINER NO |
| FINISH SAP NUMBER 3743 | FINISH REF. CETIE GME 20-09 1995 |
| MINIMUM THROUGH BORE mm | MAX FILLING TUBE Ø mm |

CONTAINER OVERFLOW CAPACITY (BRIMFUL)
 580ml ± 8,9ml

CONTAINER RATED CAPACITY (FILLPOINT)
 NA

CONTAINER WEIGHT
 235g APPROX.

FINISH DESIGNATION
 FR_82_GME 20-09_H140_3743

MAX GAS VOLUME
 NO

PROCESS
 NO

DESIGN REF.
 14-5851

**STANDARD
 58 CL POT TO 82**

DESIGNER BCO **DATE** 05/07/13
CHECKED **DATE**

DRAWING NUMBER 130755 **MOULD/SAP NUMBER** 013591

| No | DATE | REVISIONS | DESIGN/CHECK |
|----|----------|--|--------------|
| | 05/07/13 | REPRISE KBE ANNULE ET REMPLACE N° PLAN 6175-01 B | BCO |
| | | | |