

GLASS IS LIFE™

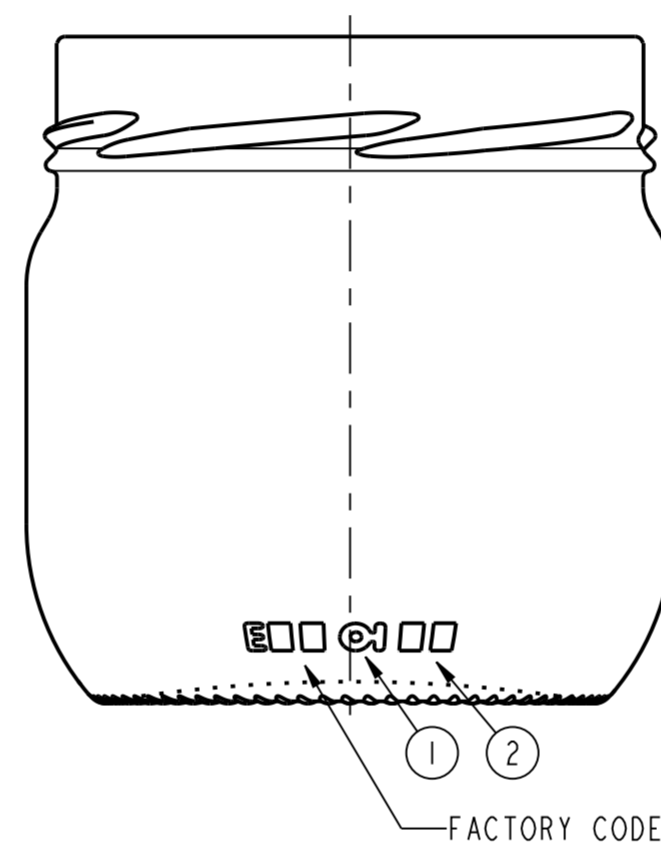
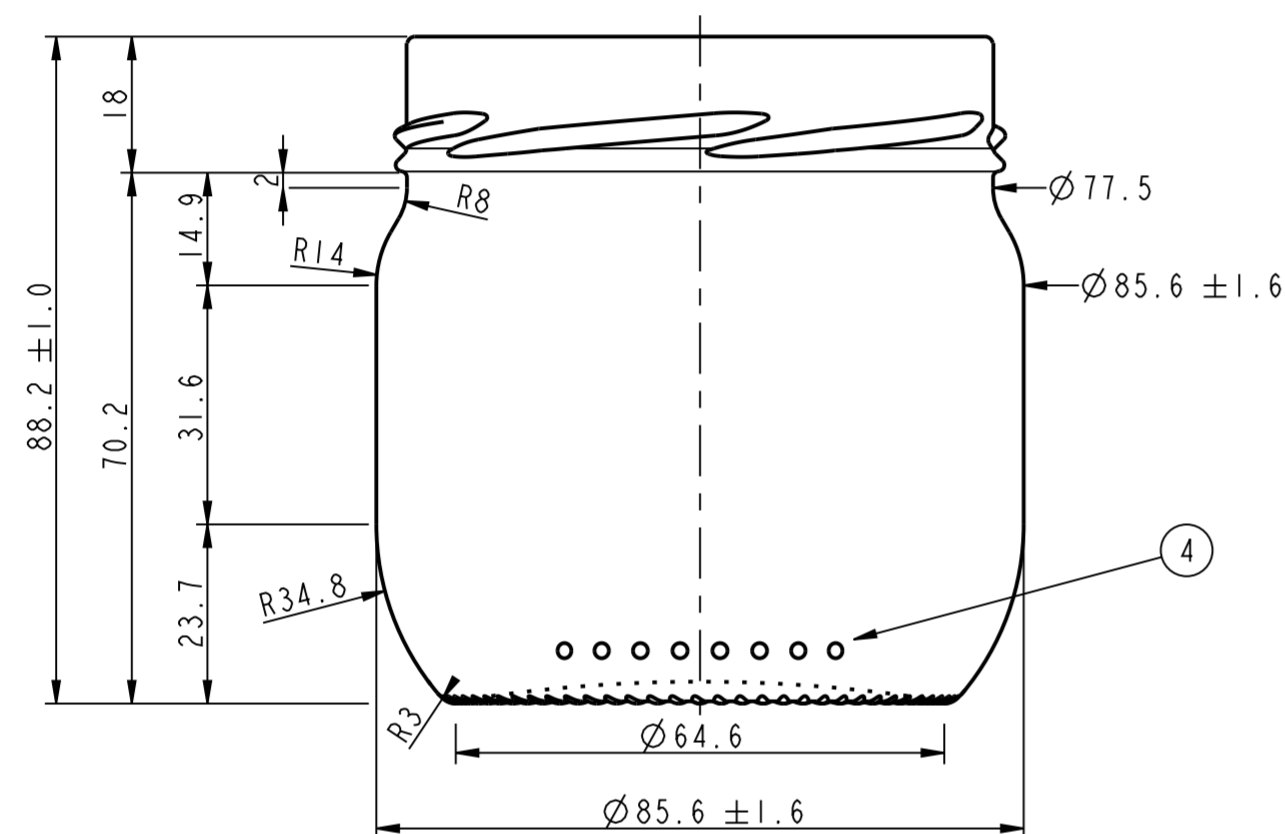
O-I makers of pure, sustainable,
brand-building glass packaging

O-I Sales and Distribution Netherlands B.V.

Postbus 46
3100 AA Schiedam, Netherlands
Tel. +31 (0) 104094444

CONTAINER & MOULD ENGINEERING

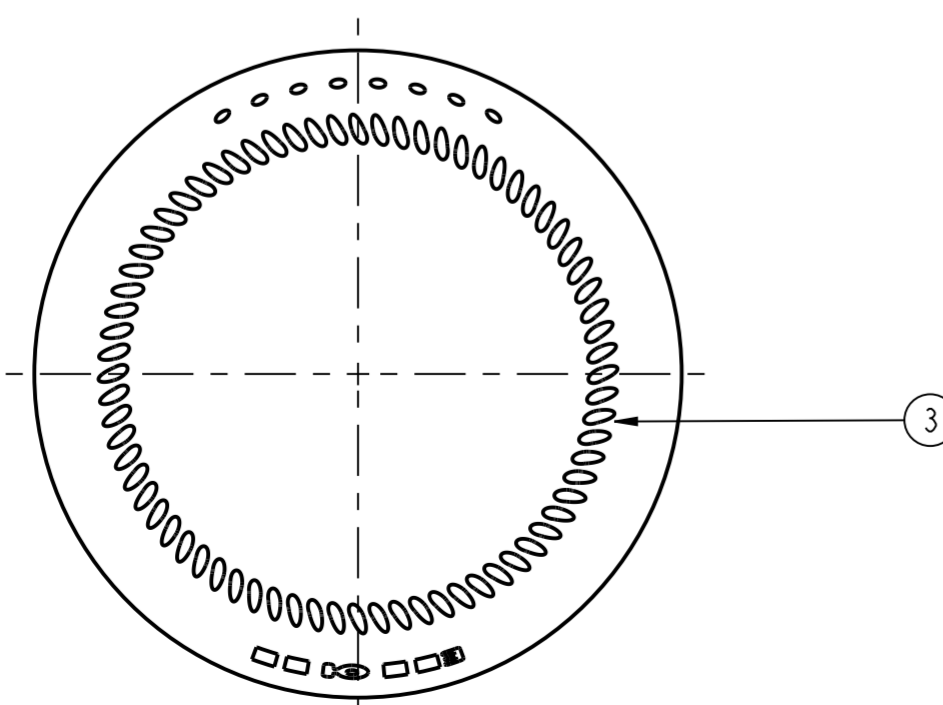
EUROPE



NOTES:
THIS DRAWING IS THE PROPERTY OF O-I AND
MUST NOT BE REPRODUCED OR DISCLOSED
WITHOUT O-I WRITTEN AUTHORIZATION.

DIMENSIONS EXPRESSED IN mm
ONLY TOLERANCED DIMENSIONS ARE GUARANTEED.

MANUFACTURING MARKINGS SHOWN ARE FOR ILLUSTRATIVE
PURPOSES ONLY, ACTUAL MARKINGS ON CONTAINER
MAY DIFFER, DEPENDANT ON LOCAL LEGISLATION.



1 = TRADEMARK
2 = CAVITY No.
3 = STIPPLING
THE SHAPE OF STIPPLES IS ONLY AN
INDICATION AND THE CONSTRUCTION IS AT
THE PRODUCTION PLANT DISCRETION.
4 = CAVITY CODE

SCALE 1:1



CATEGORY FOOD		TILT ANGLE 38.21°	
		MEASURING CONTAINER NO	
FINISH SAP NUMBER 7650		FINISH REF. SPECIAL	
CONTAINER OVERFLOW CAPACITY (BRIMFUL) 378ml ± 7,6ml			
CONTAINER RATED CAPACITY (FILLPOINT) 378ml			
CONTAINER WEIGHT 198g APPROX.			
FINISH DESIGNATION EU_82_SPECIAL_H180_7650			
PROCESS P&B	RETURNABLE NO	DESIGN REF. EU 21193	
378 ml Deep T082			
DESIGNER	SK	DATE	17/11/15
CHECKED		DATE	
DRAWING NUMBER 150603		MOULD/SAP NUMBER 150603	

No	DATE	REVISIONS	DESIGN/CHECK
	22/02/16	RELEASED FOR PRODUCTION	WD
	18/11/15	150603_4 RELEASED FOR SAMPLING	SK