

GLASS IS LIFE™

O-I makers of pure, sustainable, brand-building glass packaging

O-I Manufacturing France

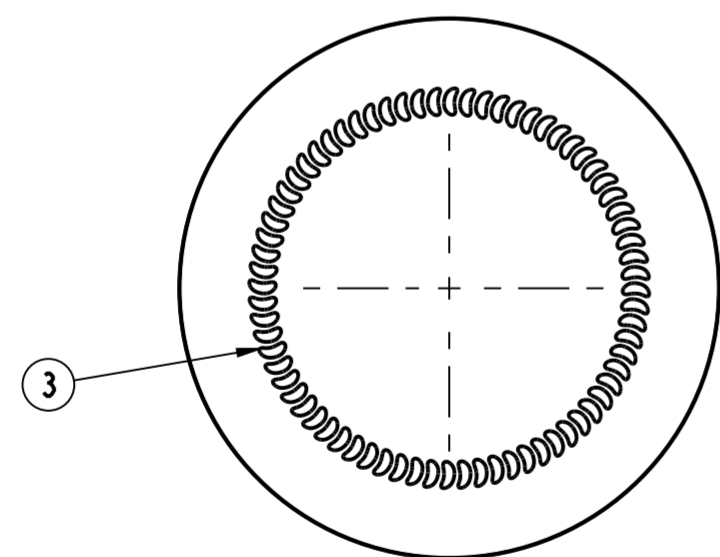
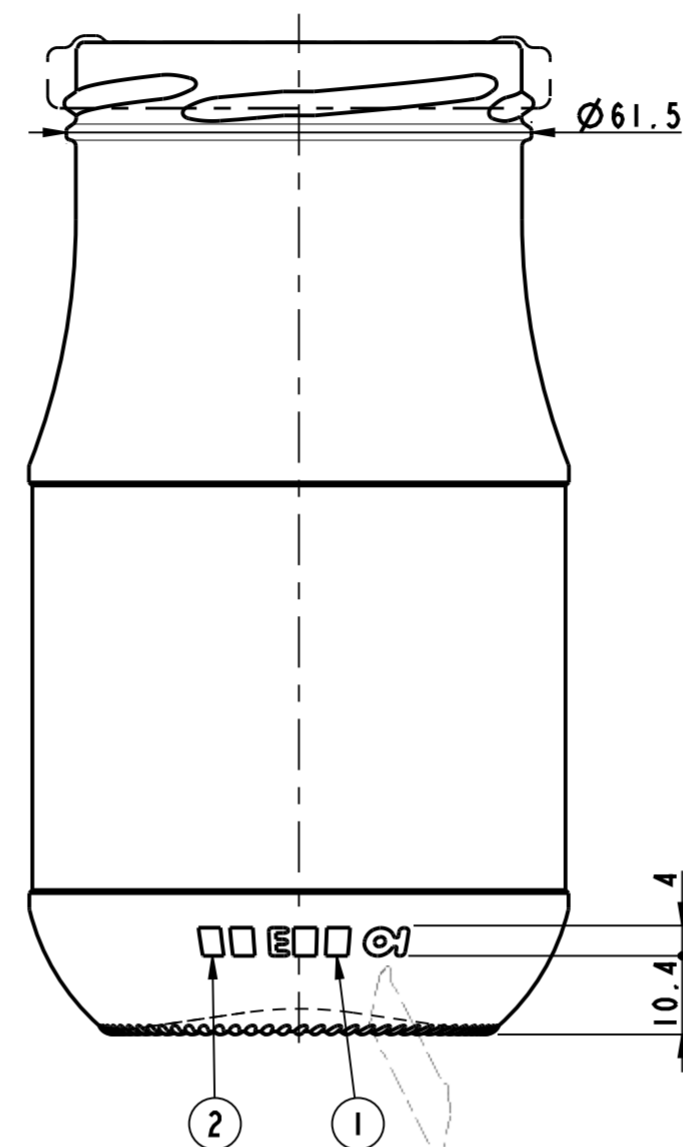
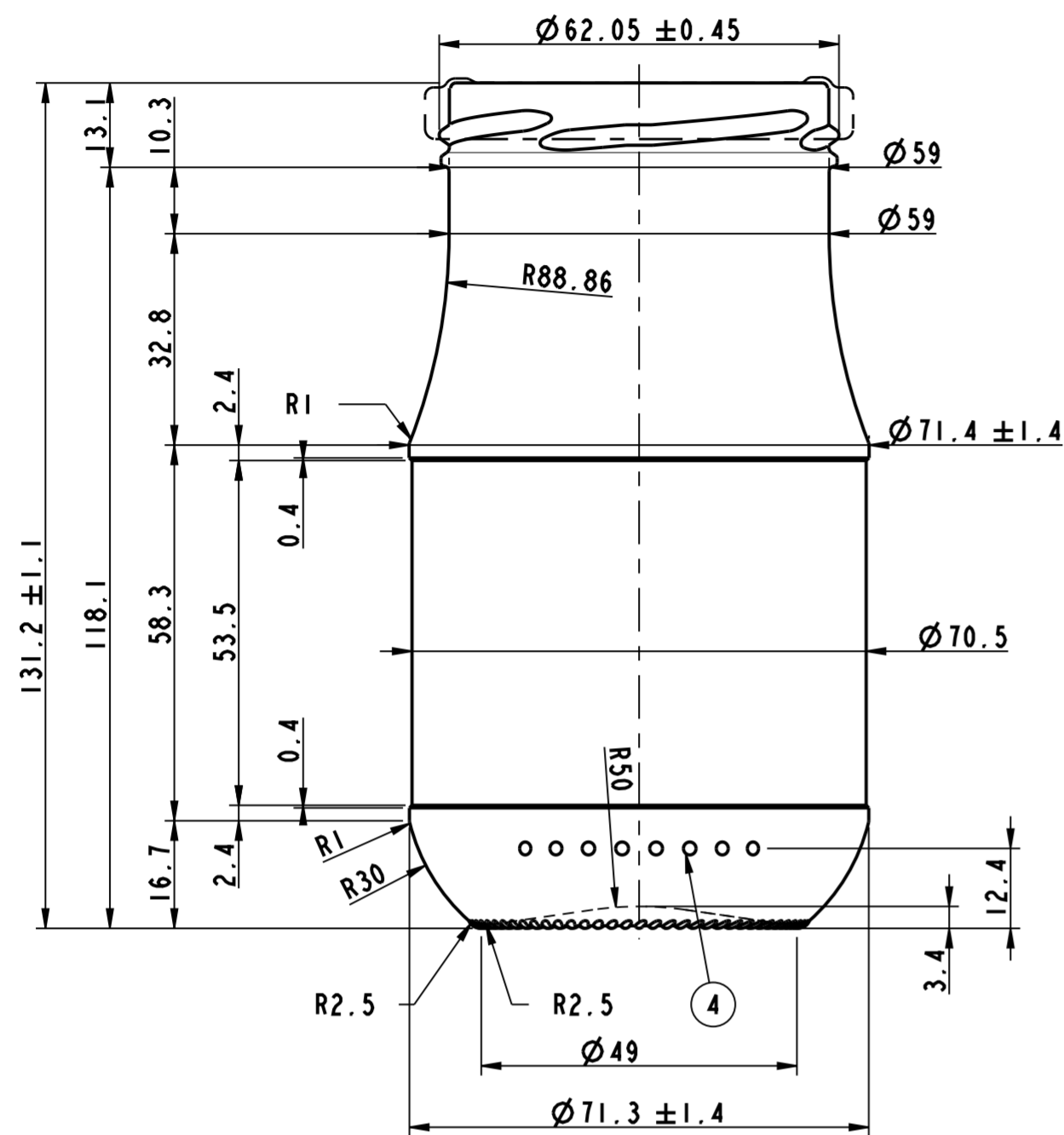
64 bd du 11 Novembre 1918 - BP 1228
69611 Villeurbanne Cedex, France
Tel. +33 (0)426866500

CONTAINER & MOULD ENGINEERING EUROPE

NOTES:
THIS DRAWING IS THE PROPERTY OF O-I AND
MUST NOT BE REPRODUCED OR DISCLOSED
WITHOUT O-I WRITTEN AUTHORIZATION.

DIMENSIONS EXPRESSED IN mm
ONLY TOLERANCED DIMENSIONS ARE GUARANTEED.

MANUFACTURING MARKINGS SHOWN ARE FOR ILLUSTRATIVE
PURPOSES ONLY. ACTUAL MARKINGS ON CONTAINER
MAY DIFFER, DEPENDANT ON LOCAL LEGISLATION.



1 : TRADEMARK
2 : CAVITY No.
3 : STIPPLING
THE SHAPE OF STIPPLES IS ONLY AN
INDICATION AND THE CONSTRUCTION IS AT
THE PRODUCTION PLANT DISCRETION.
4 : CAVITY CODE

SCALE 1:1

HEAT TREATMENT XX °C maxi	CARBONATION XX g CO2/l maxi
VERTICAL LOAD 150 daN maxi	THERMAL SHOCK 42 °C maxi
CATEGORY FOOD	TILT ANGLE 22.26°
MAX. VERTICALITY TOLERANCE 1.6 mm	MEASURING CONTAINER NO
FINISH SAP NUMBER 3731	FINISH REF. CETIE GME 20-06 1995
MINIMUM THROUGH BORE . mm	MAX FILLING TUBE Ø mm
CONTAINER OVERFLOW CAPACITY (BRIMFUL)	
370ml APPROX.	
CONTAINER RATED CAPACITY (FILLPOINT)	
NA	
CONTAINER WEIGHT	
180g APPROX.	
FINISH DESIGNATION	
FR.63.GME 20-06.H131.3731	
MAX GAS VOLUME	
PROCESS	RETURNABLE
NO	NO
DESIGN REF. 14-3101	

STANDARD 37 CL POT ATLAS TO 63

DESIGNER BCO DATE 31/08/12

CHECKED DATE

DRAWING NUMBER 120574 MOULD/SAP NUMBER 013477

No	DATE	REVISIONS	DESIGN/CHECK
	31/08/12	REPRISE SUR KBE ANNULE ET REMPLACE N°6123-01 C	BCO