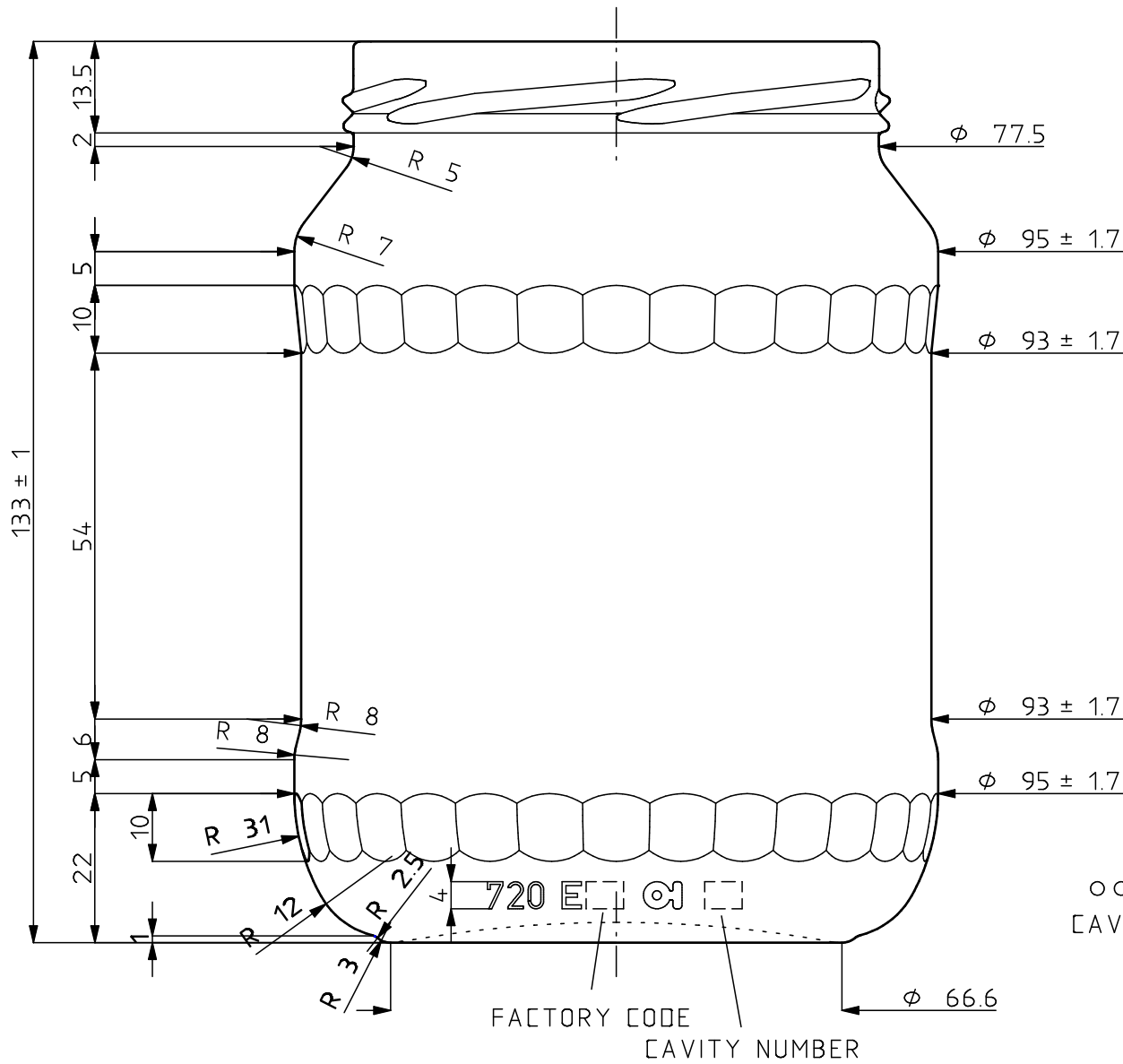
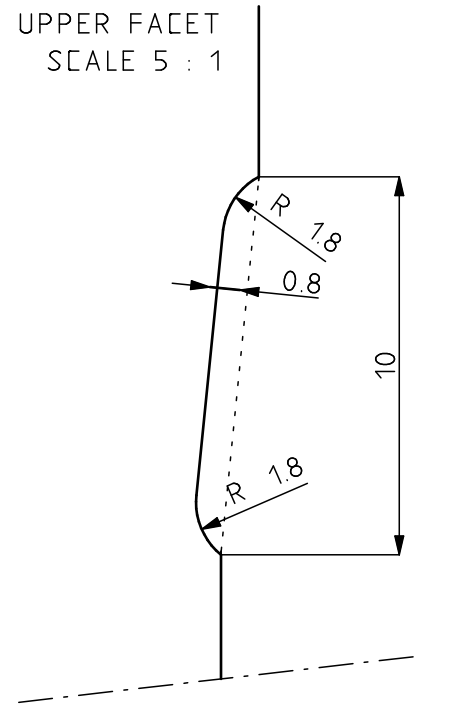


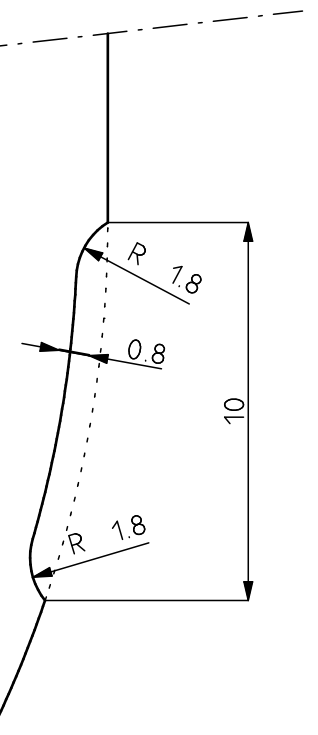
30 FACETS ON CIRCUMFERENCE



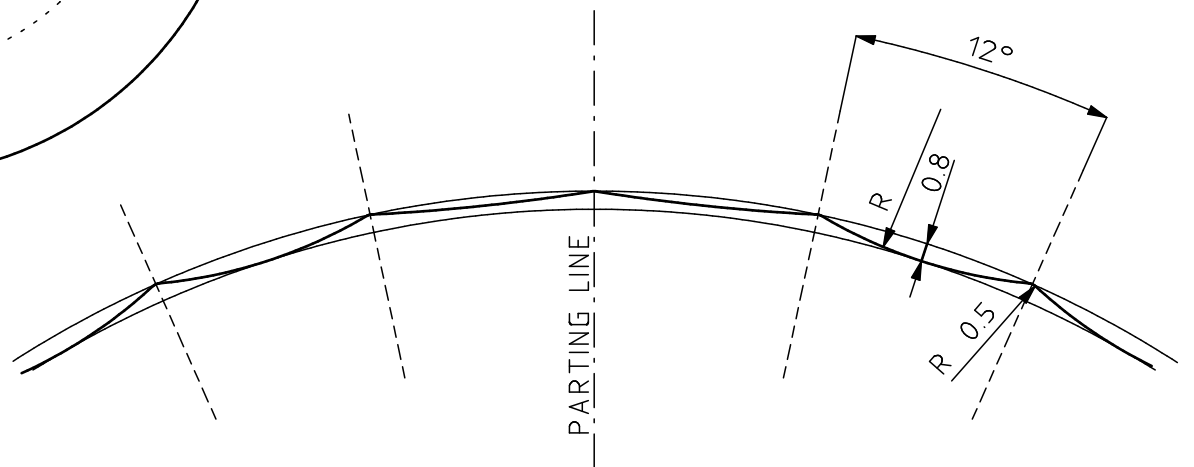
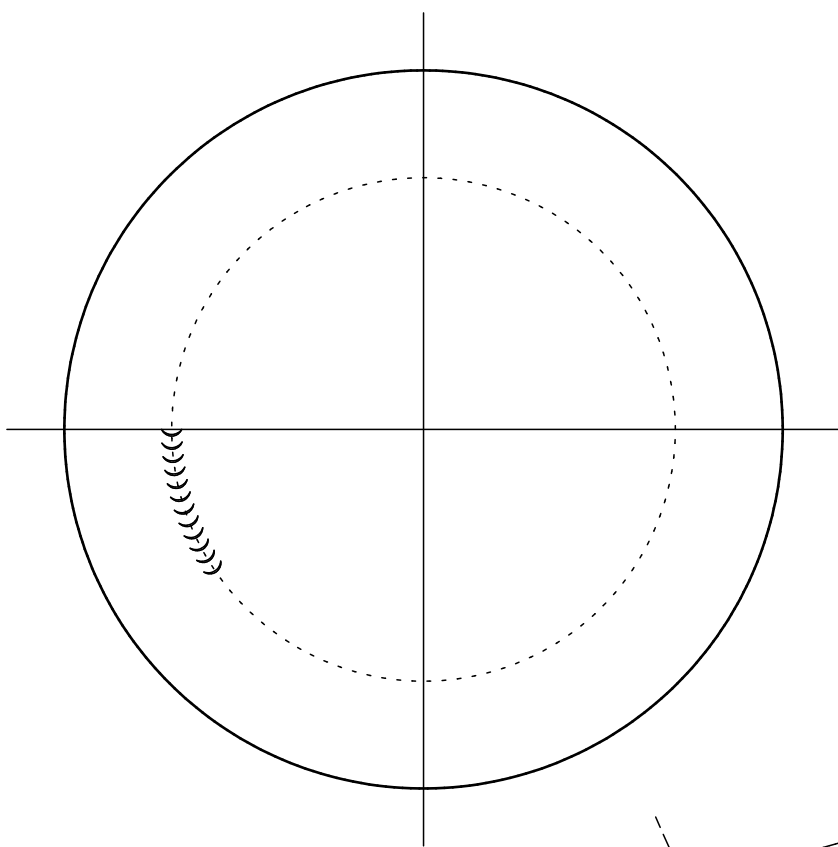
SECTION UPPER FACET
SCALE 5 : 1



SECTION LOWER FACET
SCALE 5 : 1



○○○○○○○○○○
CAVITY DOT CODE



SECTION FACETS
SCALE 3 : 1

All rights reserved. No part may be reproduced or used to manufacture the article depicted without written permission.

all measures in mm

scale 1:1	A3	finish	T0.8207	brimful capacity	720 ml ± 4.5 ml	title	720 ml JAR
date 15-6-06 MHP		W	2.74 mm	Individual brim. cap.	720 ml ± 13 ml	customer	STANDARD ITEM
article 072.2327		tilt angle	31.4 °	approx. weight	300 g*	drawing	2090-04
		colour	FLINT			shape code	004627