

GLASS IS LIFE™

O-I makers of pure, sustainable, brand-building glass packaging

O-I Manufacturing Netherlands B.V.

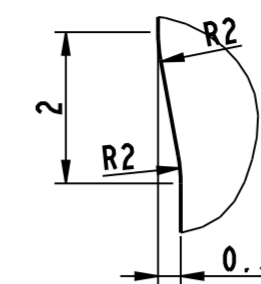
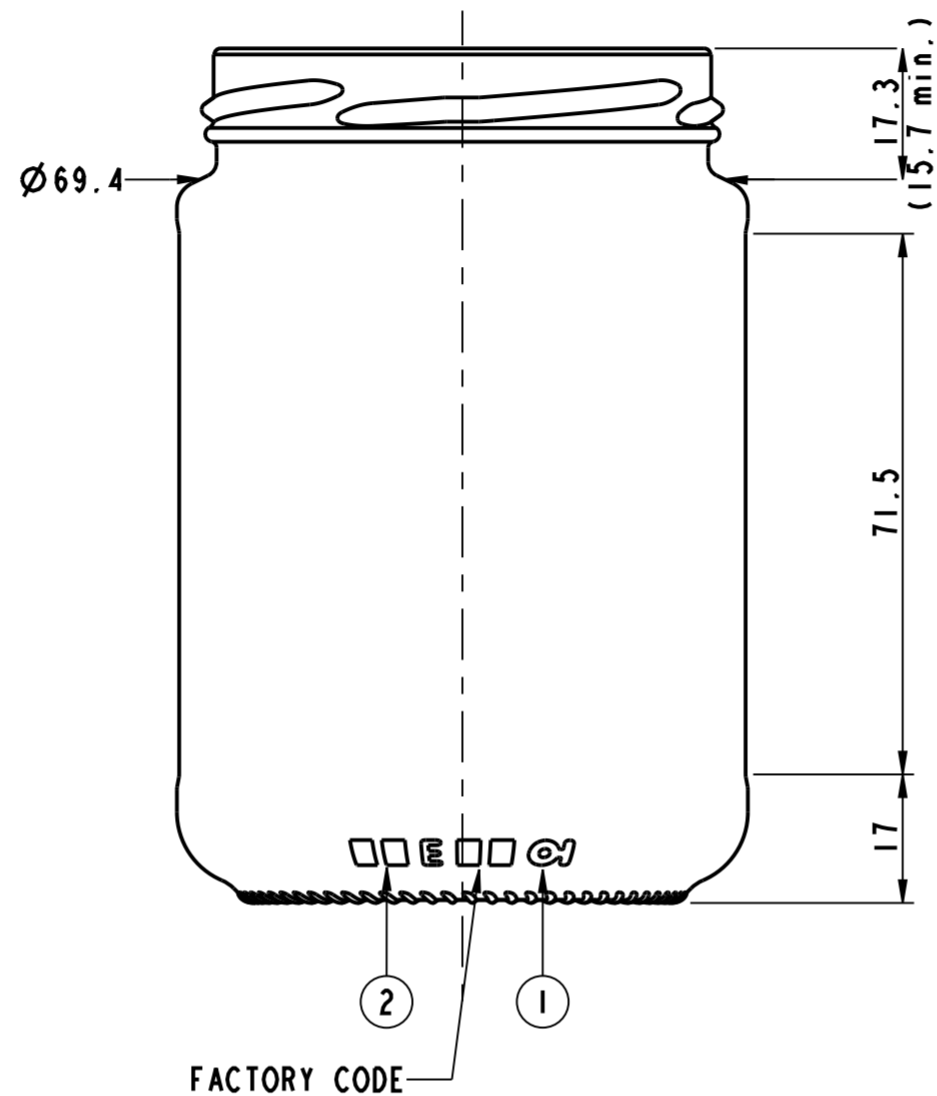
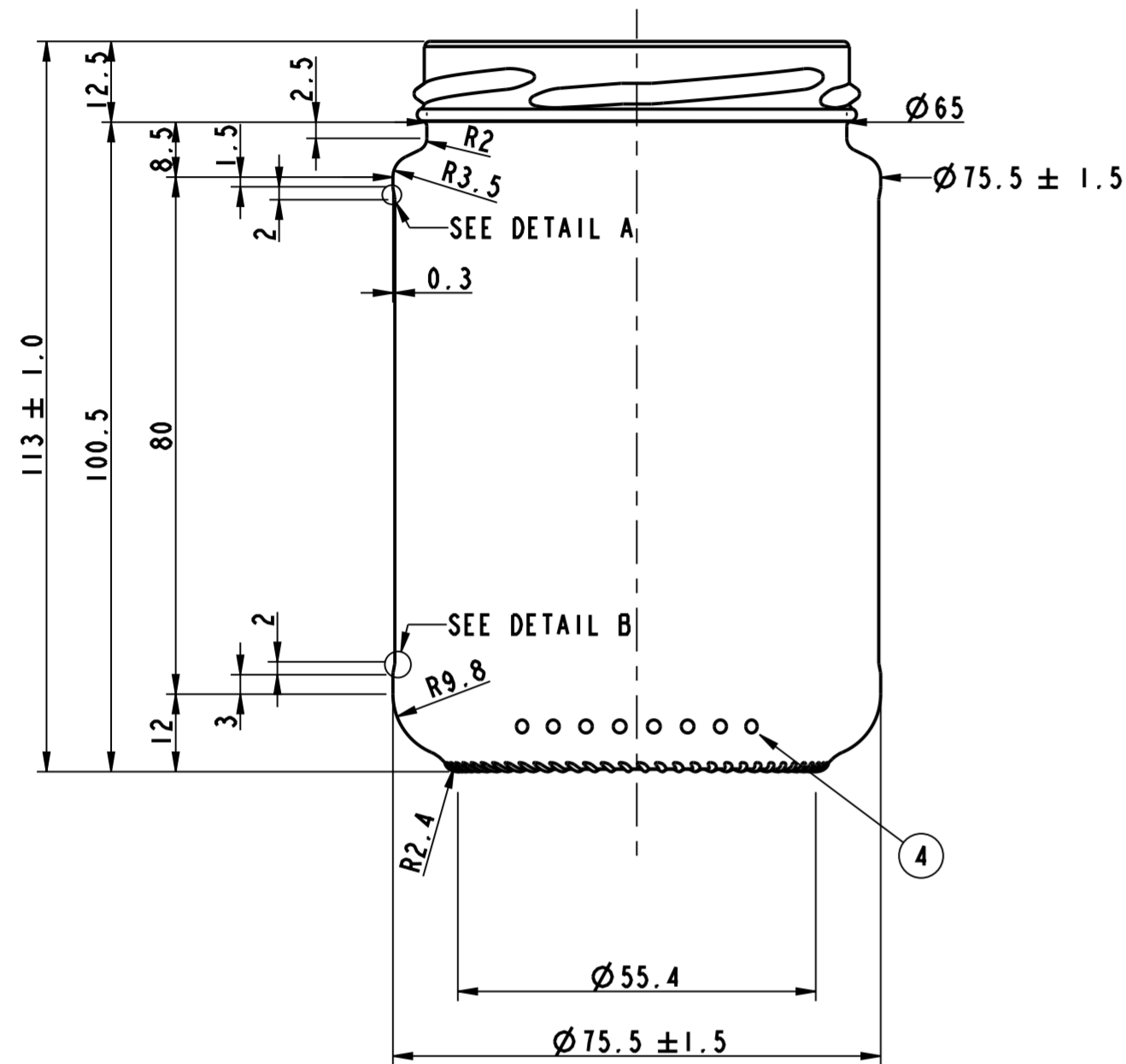
Postbus 48
3100 AA Schiedam, Netherlands
Tel. tel. +31 0104084444

CONTAINER & MOULD ENGINEERING EUROPE

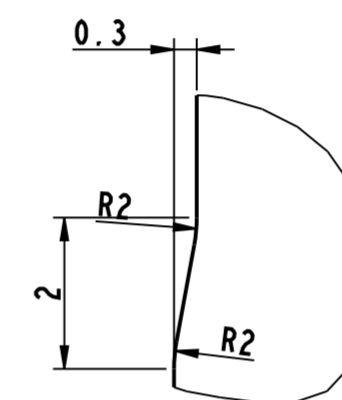
NOTES:
THIS DRAWING IS THE PROPERTY OF O-I AND
MUST NOT BE REPRODUCED OR DISCLOSED
WITHOUT O-I WRITTEN AUTHORIZATION.

DIMENSIONS EXPRESSED IN mm
ONLY TOLERANCED DIMENSIONS ARE GUARANTEED.

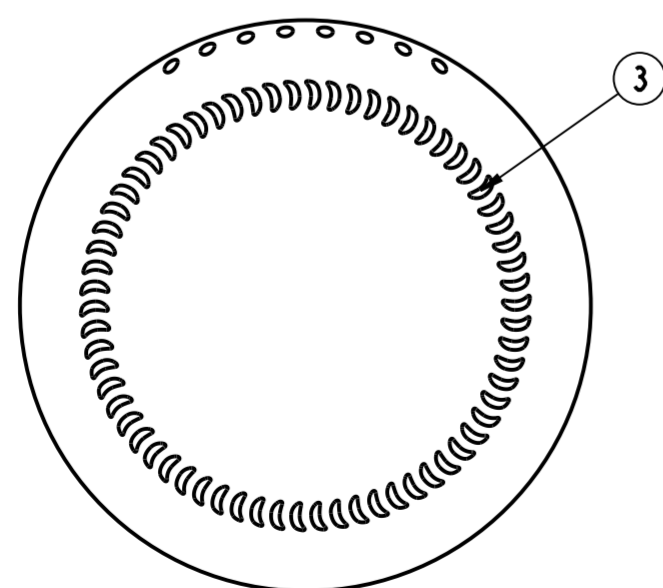
MANUFACTURING MARKINGS SHOWN ARE FOR ILLUSTRATIVE
PURPOSES ONLY. ACTUAL MARKINGS ON CONTAINER
MAY DIFFER, DEPENDANT ON LOCAL LEGISLATION.



DETAIL A
SCALE 10/1



DETAIL B
SCALE 10/1



1 = TRADEMARK
2 = CAVITY No.
3 = STIPPLING
THE SHAPE OF STIPPLES IS ONLY AN
INDICATION AND THE CONSTRUCTION IS AT
THE PRODUCTION PLANT DISCRETION.
4 = CAVITY CODE

SCALE 1:1

CATEGORY FOOD		TILT ANGLE 27.44°	
MAX. VERTICALITY TOLERANCE 1.5 mm		MEASURING CONTAINER NO	
FINISH SAP NUMBER 4965		FINISH REF. CETIE GME 20-06 1995	
CONTAINER OVERFLOW CAPACITY (BRIMFUL) 390ml ± 10ml			
CONTAINER RATED CAPACITY (FILLPOINT)			
CONTAINER WEIGHT 195g APPROX.			
FINISH DESIGNATION EU.70.GME 20-06.H125.4965			
PROCESS P&B	RETURNABLE NO	DESIGN REF. 7813	

390 ml Spread Jar

DESIGNER	WD	DATE	24/06/13
CHECKED	MM	DATE	07/01/14

DRAWING NUMBER 130728	MOULD/SAP NUMBER 130728
--------------------------	----------------------------

No	DATE	REVISIONS	DESIGN/CHECK
3	07-01-14	TENTATIVE REMOVED	SK
2	13-11-13	voetconstructie gewijzigd	WD
1	02-10-13	min. capmaat gecorrigeerd van 17.2 naar 15.7 mm	WD