

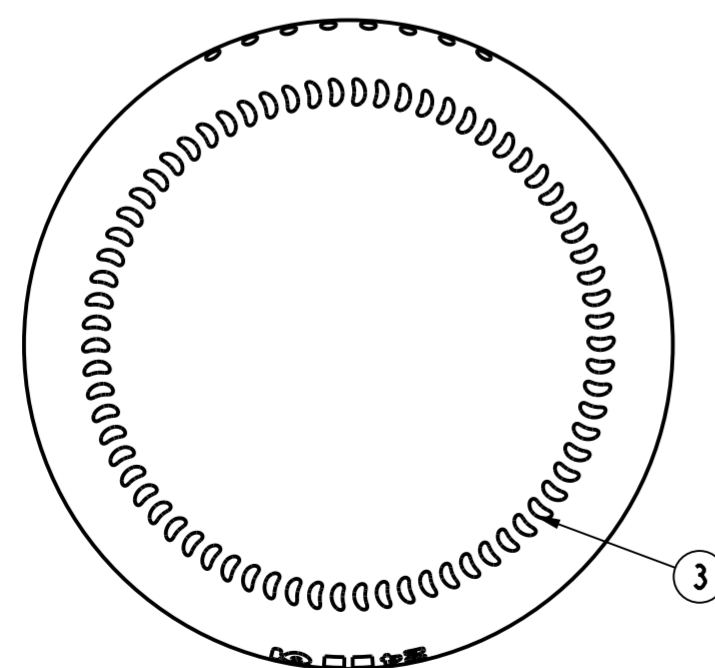
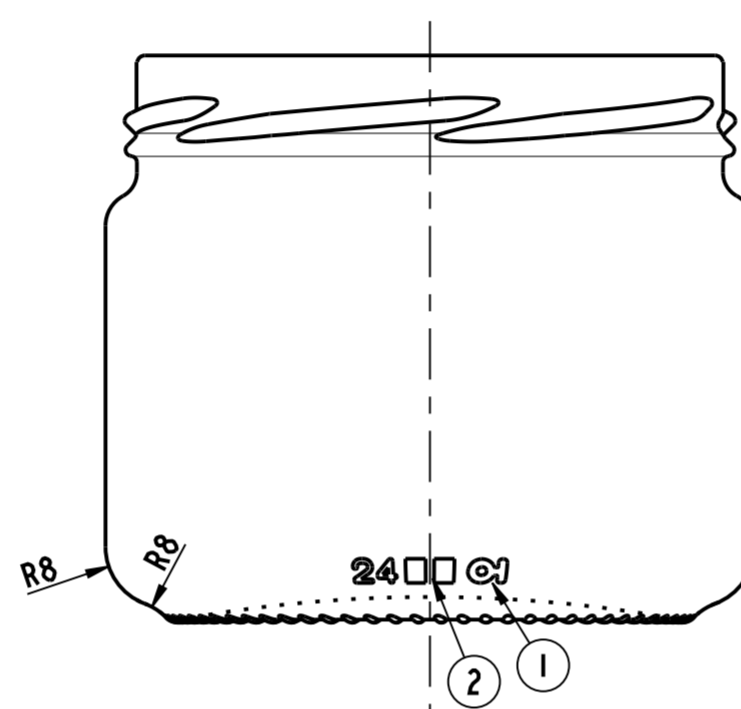
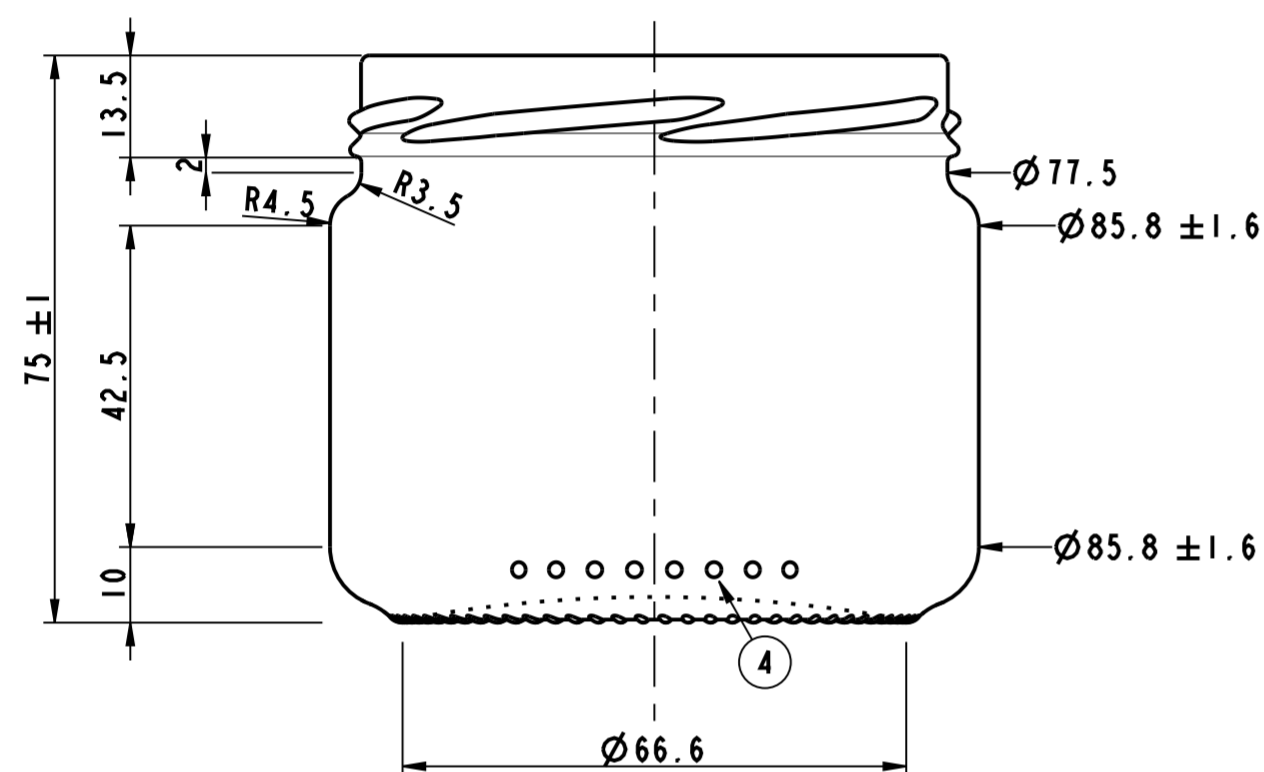
GLASS IS LIFE™

O-I makers of pure, sustainable,
brand-building glass packaging

O-I Manufacturing Netherlands B.V.

Postbus 48
3100 AA Schiedam, Netherlands
Tel. tel. +31 0104084444

**CONTAINER & MOULD ENGINEERING
EUROPE**



NOTES:
THIS DRAWING IS THE PROPERTY OF O-I AND
MUST NOT BE REPRODUCED OR DISCLOSED
WITHOUT O-I WRITTEN AUTHORIZATION.

DIMENSIONS EXPRESSED IN mm
ONLY TOLERANCED DIMENSIONS ARE GUARANTEED.

MANUFACTURING MARKINGS SHOWN ARE FOR ILLUSTRATIVE
PURPOSES ONLY. ACTUAL MARKINGS ON CONTAINER
MAY DIFFER, DEPENDANT ON LOCAL LEGISLATION.

CATEGORY FOOD		TILT ANGLE 44.38°	
MAX. VERTICALITY TOLERANCE 1.5 mm		MEASURING CONTAINER YES	
FINISH SAP NUMBER 0540		FINISH REF. CETIE GME 20-09 1995	
CONTAINER OVERFLOW CAPACITY (BRIMFUL)			
333ml ± 3,5ml			
CONTAINER WEIGHT			
172g APPROX.			
FINISH DESIGNATION EU.82.GME 20-09.H135.0540			
PROCESS P&B	RETURNABLE NO	DESIGN REF.	
Standard item 333 ml Jar			
DESIGNER	MH	DATE	23/02/12
CHECKED		DATE	
DRAWING NUMBER 120137		MOULD/SAP NUMBER 003240	

1 = TRADEMARK
2 = CAVITY No.
3 = STIPPLING
THE SHAPE OF STIPPLES IS ONLY AN
INDICATION AND THE CONSTRUCTION IS AT
THE PRODUCTION PLANT DISCRETION.
4 = CAVITY CODE

SCALE 1:1

2	17-11-15	FINISH UPDATED	SK
1	07-11-14	NECK CHANGED	SK
Design was 2344-07			
No	DATE	REVISIONS	DESIGN/CHECK