

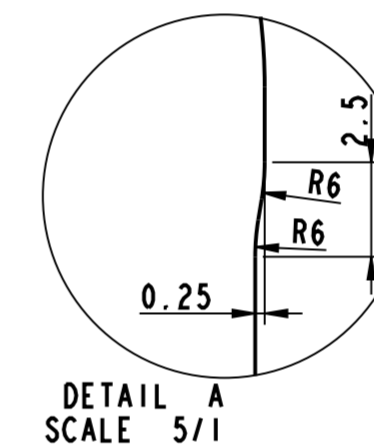
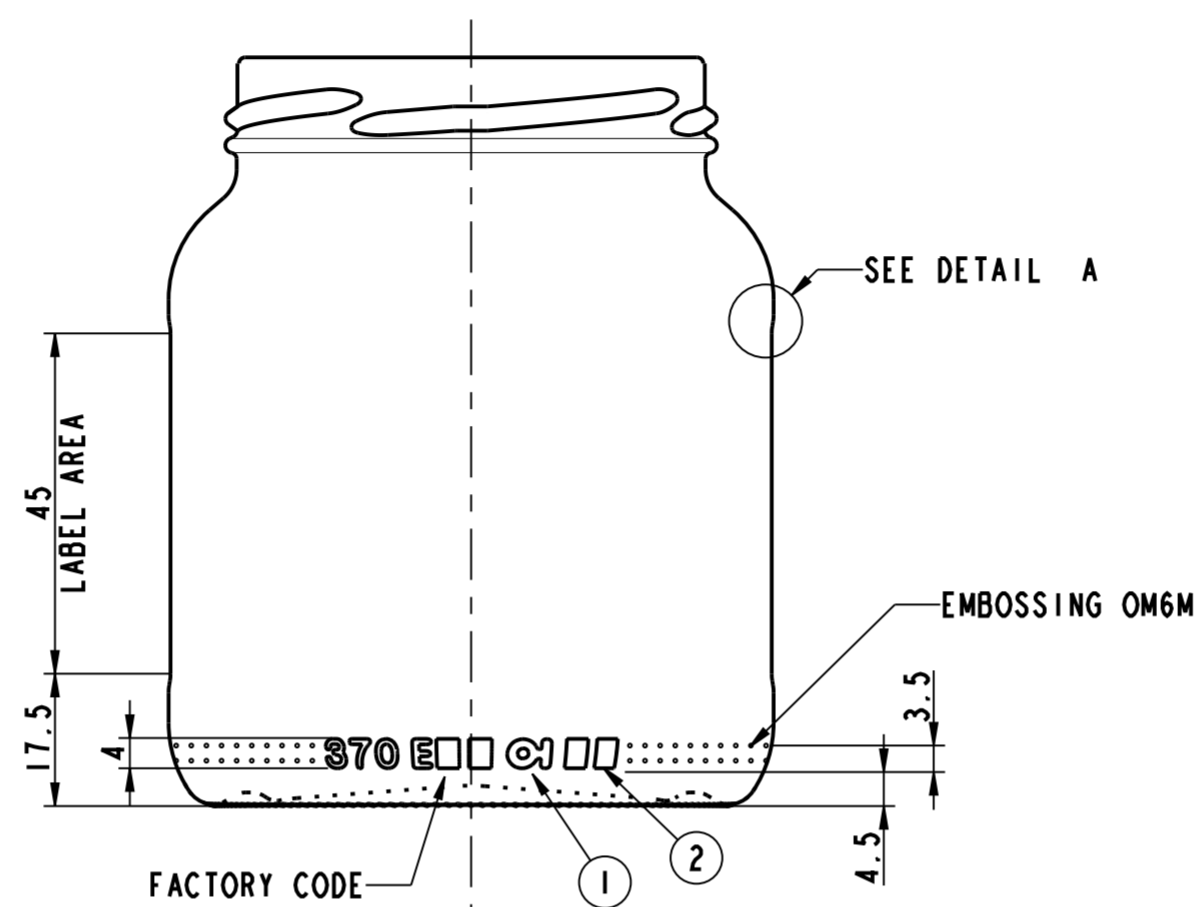
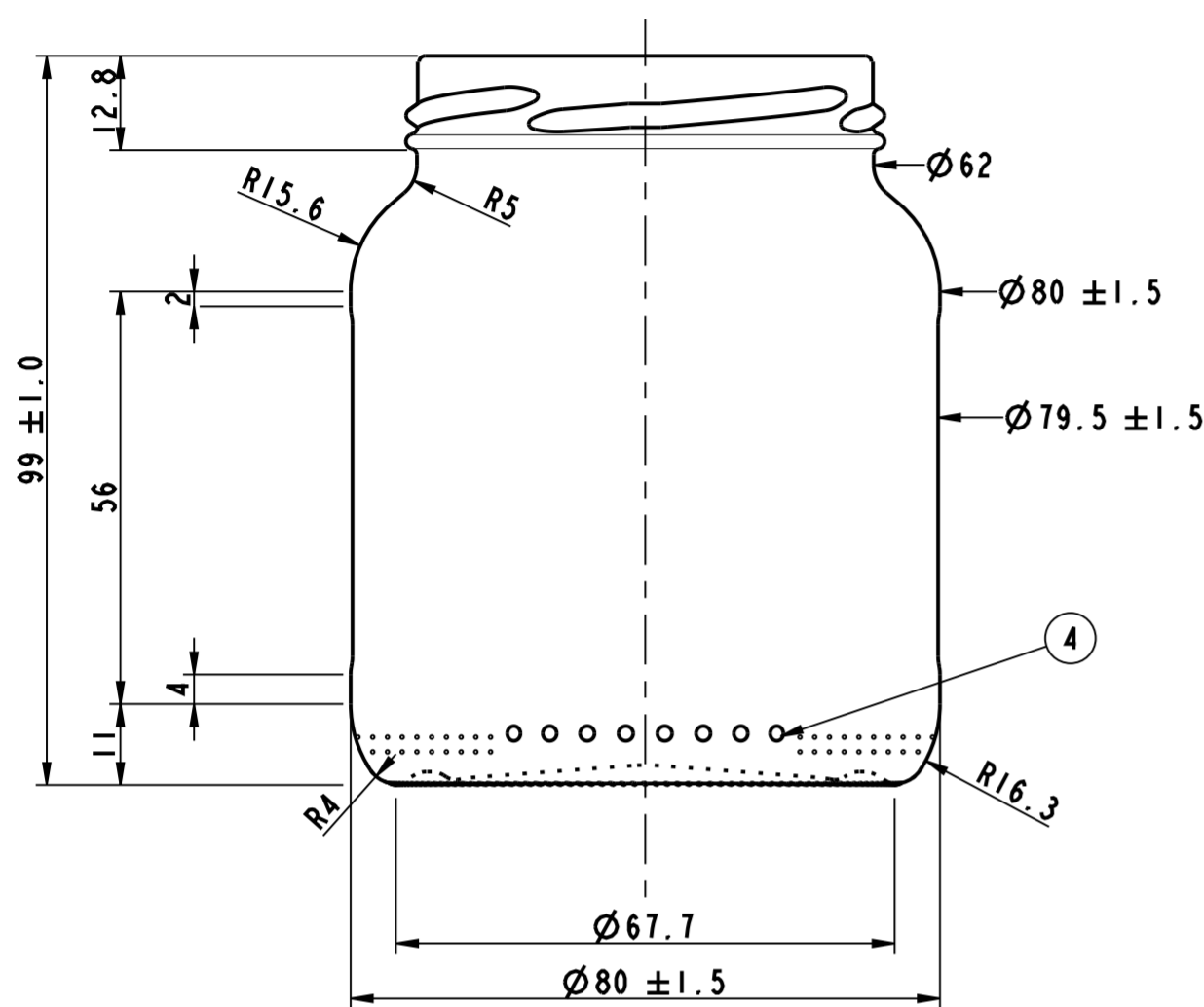
GLASS IS LIFE™

O-I makers of pure, sustainable, brand-building glass packaging

O-I Sales and Distribution Netherlands B.V.

Postbus 48
3100 AA Schiedam, Netherlands
Tel. +31 (0) 104084444

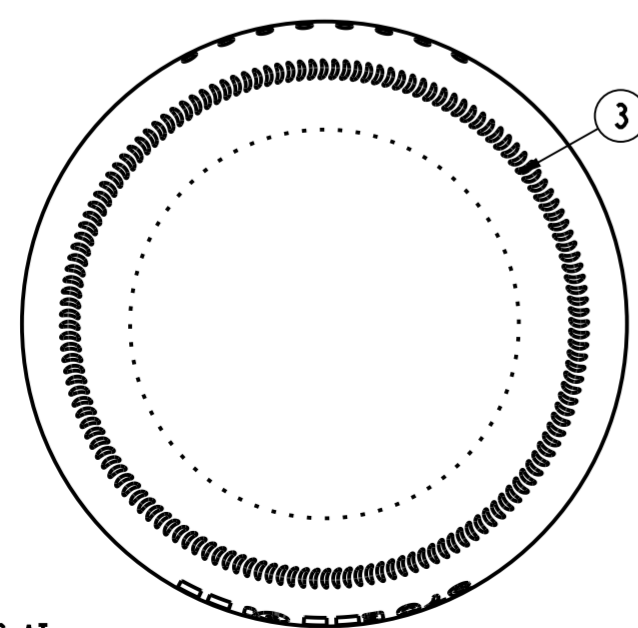
CONTAINER & MOULD ENGINEERING EUROPE



NOTES:
THIS DRAWING IS THE PROPERTY OF O-I AND
MUST NOT BE REPRODUCED OR DISCLOSED
WITHOUT O-I WRITTEN AUTHORIZATION.

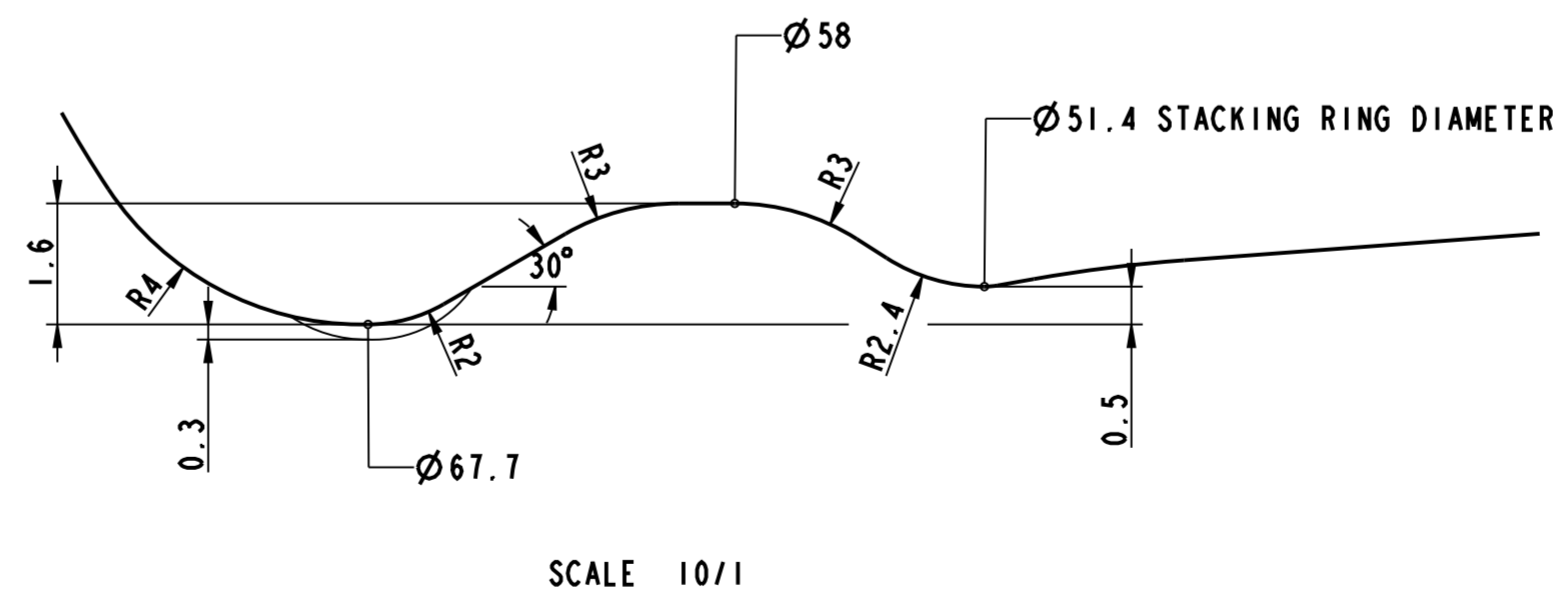
DIMENSIONS EXPRESSED IN mm
ONLY TOLERANCED DIMENSIONS ARE GUARANTEED.

MANUFACTURING MARKINGS SHOWN ARE FOR ILLUSTRATIVE
PURPOSES ONLY. ACTUAL MARKINGS ON CONTAINER
MAY DIFFER, DEPENDANT ON LOCAL LEGISLATION.



1 : TRADEMARK
2 : CAVITY No.
3 : STIPPLING
THE SHAPE OF STIPPLES IS ONLY AN
INDICATION AND THE CONSTRUCTION IS AT
THE PRODUCTION PLANT DISCRETION.
4 : CAVITY CODE

SCALE 1:1



SCALE 10/1

CATEGORY FOOD	TLT ANGLE 38.48°
	MEASURING CONTAINER YES
FINISH SAP NUMBER 0529	FINISH REF. CETIE GME 20-06 1995
CONTAINER OVERFLOW CAPACITY (BRIMFUL) 370ml ± 3,5ml	
CONTAINER RATED CAPACITY (FILLPOINT) 370ml	
CONTAINER WEIGHT 177g APPROX.	
FINISH DESIGNATION NL.66.GME 20-06.H128.0529	
PROCESS P&B	RETURNABLE NO
DESIGN REF.	
370 ml HOLLAND jar	
DESIGNER	SK
DATE	26/08/15
CHECKED	DATE
DRAWING NUMBER 150614	MOULD/SAP NUMBER 150614

No	DATE	REVISIONS	DESIGN/CHECK