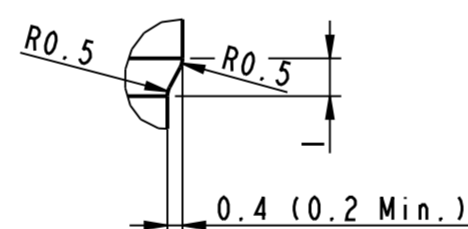
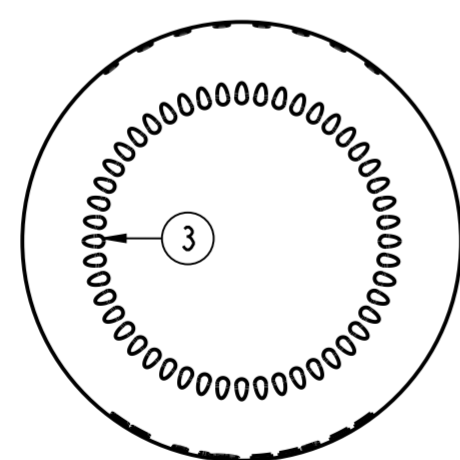
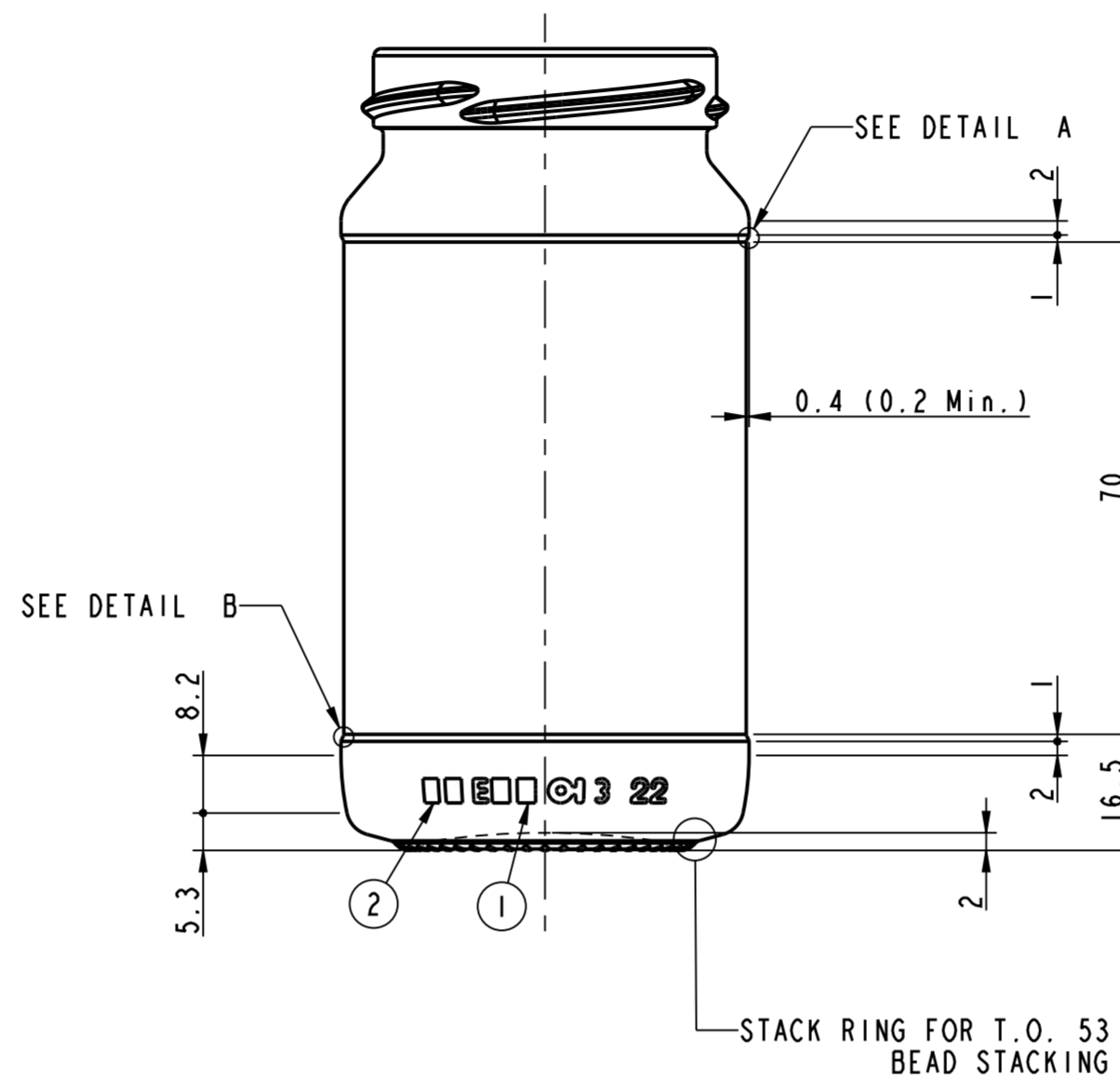
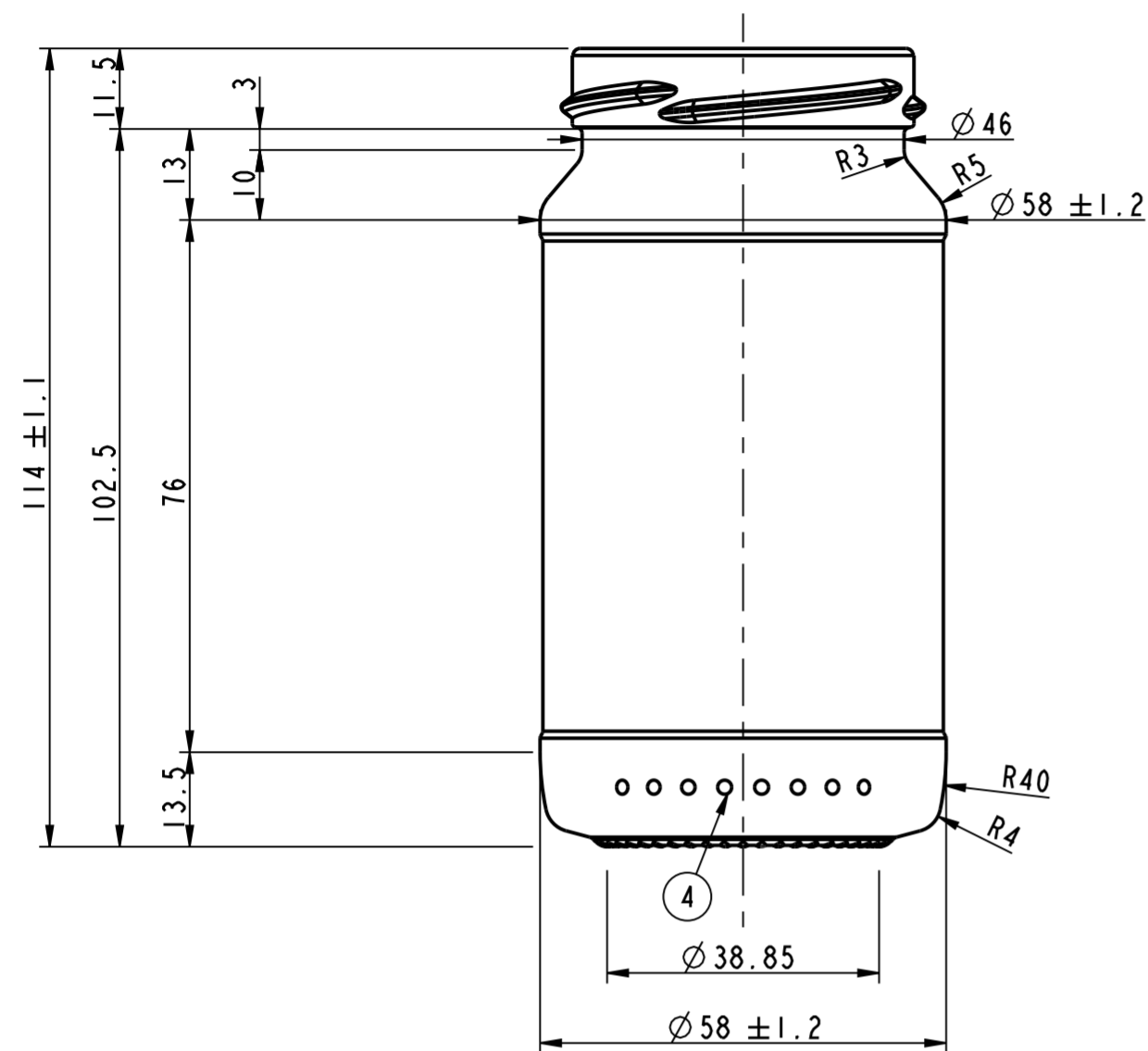
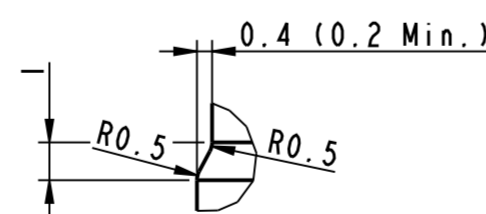


O-I Manufacturing Italy S.p.A.  
via Washington, 70  
20146 Milano, Italy  
Tel. +39 0243453.1

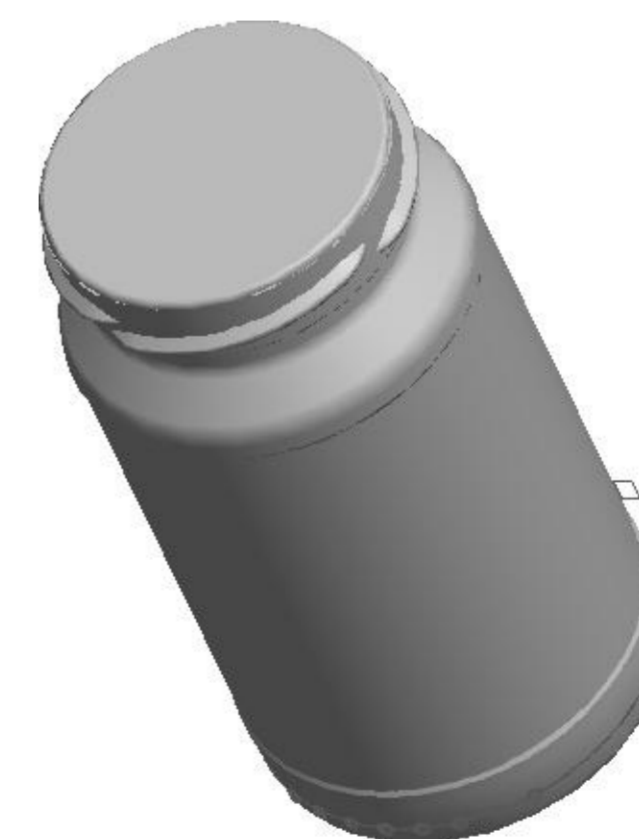
CONTAINER & MOULD ENGINEERING  
EUROPE



DETAIL A  
SCALE 5/1



DETAIL B  
SCALE 5/1



NOTES:  
THIS DRAWING IS THE PROPERTY OF O-I AND  
MUST NOT BE REPRODUCED OR DISCLOSED  
WITHOUT O-I WRITTEN AUTHORIZATION.  
ONLY TOLERANCED DIMENSIONS ARE GUARANTEED.  
MANUFACTURING MARKINGS SHOWN ARE FOR ILLUSTRATIVE  
PURPOSES ONLY, ACTUAL MARKINGS ON CONTAINER  
MAY DIFFER, DEPENDANT ON LOCAL LEGISLATION.

- 1 = TRADEMARK
- 2 = CAVITY No.
- 3 = STIPPLING
- THE SHAPE OF STIPPLES IS ONLY AN INDICATION AND THE CONSTRUCTION IS AT THE PRODUCTION PLANT DISCRETION.
- 4 = CAVITY CODE
- 5 = A GLASS IDENTIFICATION
- 6 = KNURLING AT PLANT DISCRETION

SCALE 1:1

TENTATIVE

CATEGORY FOOD		TILT ANGLE 20.16°	
MAX. VERTICALITY TOLERANCE 1.27 mm		MEASURING CONTAINER YES	
FINISH SAP NUMBER 4956		FINISH REF. CETIE GME 20-04 1995	
MINIMUM THROUGH BORE 43.3 mm		MAX FILLING TUBE Ø 1 mm	
CONTAINER OVERFLOW CAPACITY (BRIMFUL) 220ml ± 6ml			
CONTAINER RATED CAPACITY (FILLPOINT) 218ml			
CONTAINER WEIGHT 130g APPROX.			
FINISH DESIGNATION EU.53.GME 20-04.H115.4956		MAX GAS VOLUME	
PROCESS	RETURNABLE NO	DESIGN REF. IPSO 4393	
<b>STANDARD 22 cl BOBO</b>			
DESIGNER	CD	DATE	25.10.10
CHECKED		DATE	
DRAWING NUMBER 100810		MOULD/SAP NUMBER 00000	

No	DATE	REVISIONS	DESIGN/CHECK
	28.12.10	REMOVED "218ml" INDICATION	CD
1	14.12.10	CHANGED DESCRIPTION CONTAINER AND REMOVED KNURLING ON THE HEEL	CD