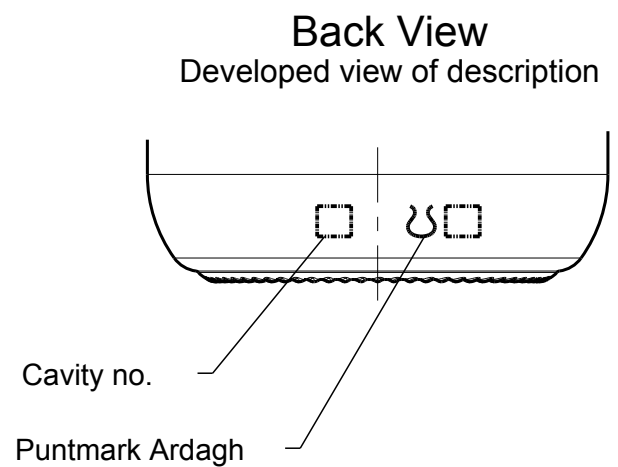
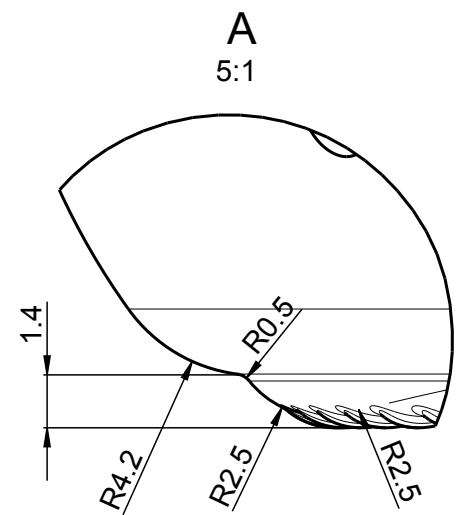
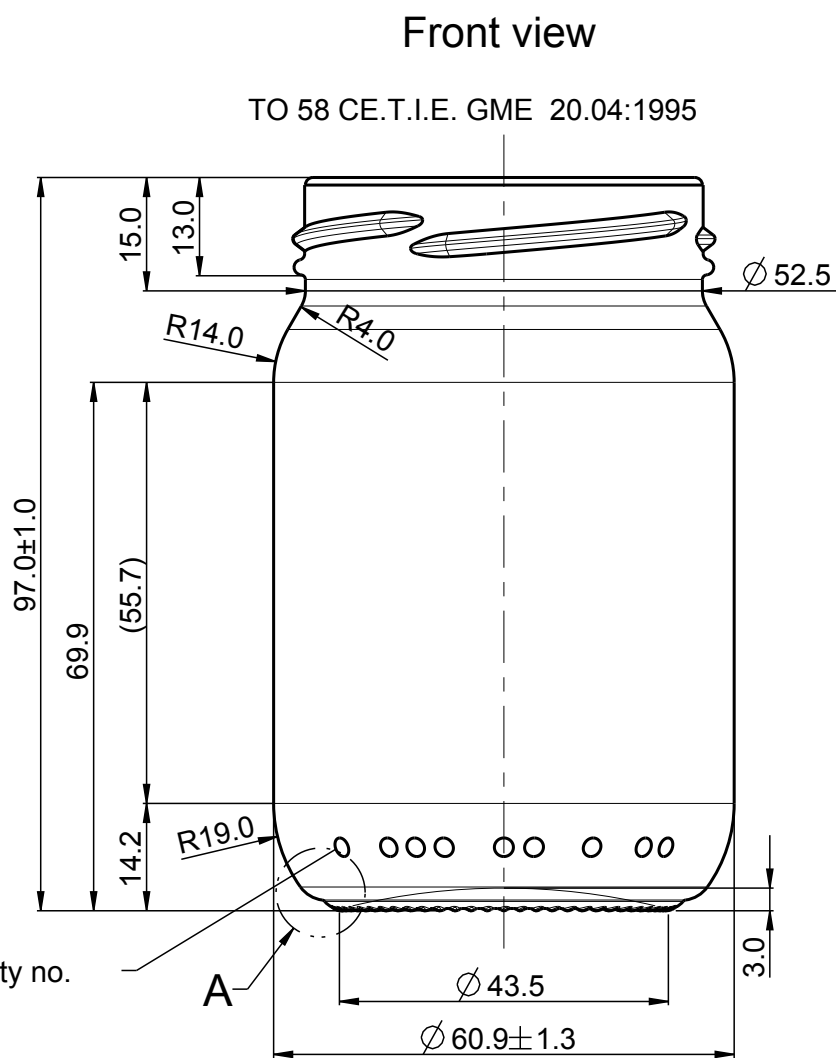
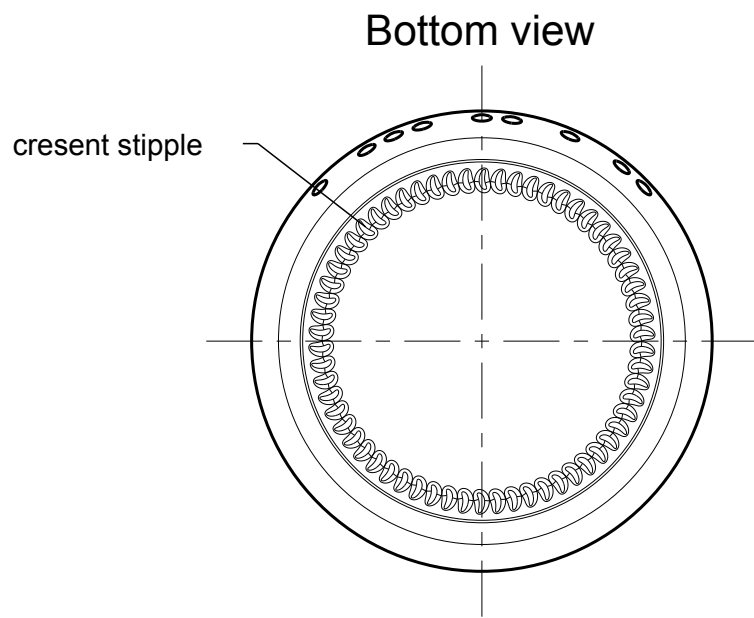



COLOUR	SAP SPEAKING NO	SAP MATERIAL NO
WHITE FLINT	30-14358 -0	31004358



0.3 STIPPLE HEIGHT IS NOT INCLUDED IN ALL DIMENSIONS FROM THE BASE

Nenninhalt NOMINAL CAPACITY	-	SPECIFICATION AGREEMENTS ARE BASED ON TOLERANCED DIMENSIONS ONLY DO NOT SCALE DRAWING COPYRIGHT RESERVED, NOT TO BE COPIED IN WHOLE OR PART WITHOUT WRITTEN PERMISSION FROM ARDAGH GLASS LTD. ALL DIMENSIONS ARE IN MILLIMETERS Document supervised by SAP, cProject and Windchill PDMLink systems) Allgemeintoleranzen vollautomatisch gefertigter Flaschen gemäß DIN 6129			Product & Mould Design	ArdaghGroup 		
Randvollinhalt BRIMFUL CAPACITY	212.0 ml ± 9.0 ml				Glass - Europe			
Kopfraum VACUITY	-				Gezeichnet DESIGNER	LingemannS	Blatt SHEET	1 / 1
Mündungsbezeichnung FINISH DESCRIPTION	TO 58				Datum DATE	27.01.2016	Maßstab SCALE	1:1 (A3)
Mündungs-Nummer FINISH NUMBER	AF05109				Kunde CUSTOMER	Covera Packaging NV	Projekt PROJECT	19092
Bohrungsdurchmesser min MINIMUM THROUGH BORE	-				Produkt Name / PRODUCT NAME			
Gewicht WEIGHT NOMINAL	~120 g				Jar STD03_212_C30_58TO			
Verwendung USAGE	NON RETURNABLE				Änderung/REVISION		Alt Nummer OLD NUMBER	
Kohlensäuregehalt CARBONATION	-	B	Add SAP material number	MartaR	-	05.04.2016	Zeichnungs Nr./DRAWING NO.	Produkt Code / PRODUCT CODE
Kippwinkel TILT ANGLE	28.7°	A	First drawing	LingemannS	-	27.01.2016	D17993 B	14358 -0