

GLASS IS LIFE™

**makers of pure, sustainable,
brand-building glass packaging**

NORTH AMERICA UNITED STATES

ONE MICHAEL OWENS WAY
PERRYSBURG, OHIO 43551

PRODUCT DEVELOPMENT

MINIMUM HEADSPACE IS DESIGNED TO ACCOMMODATE UP TO 19.05 mm [.750] INSERTED CORK LENGTH AT 80 PROOF PRODUCT STORED AT A TEMPERATURE OF 20°C [68°F].

① FILL POINT(S) - APPROXIMATE FILL LOCATION MAY VARY UP OR DOWN FROM THAT INDICATED.

② OPTIONAL:
2 ALIGNING LUGS TO APPEAR
90 DEGREES FROM PARTING LINE.

ALPHANUMERIC IDENTIFICATION CODE TO APPEAR ON
BOTTOM PER GS-311-B.

CAPACITY LETTERING TO APPEAR ON BOTTOM AS
SHOWN, AND TO BE 6.35 [.250] TALL.

BOTTOM PLATE LETTERING TO BE 6.35 [.250] TALL.

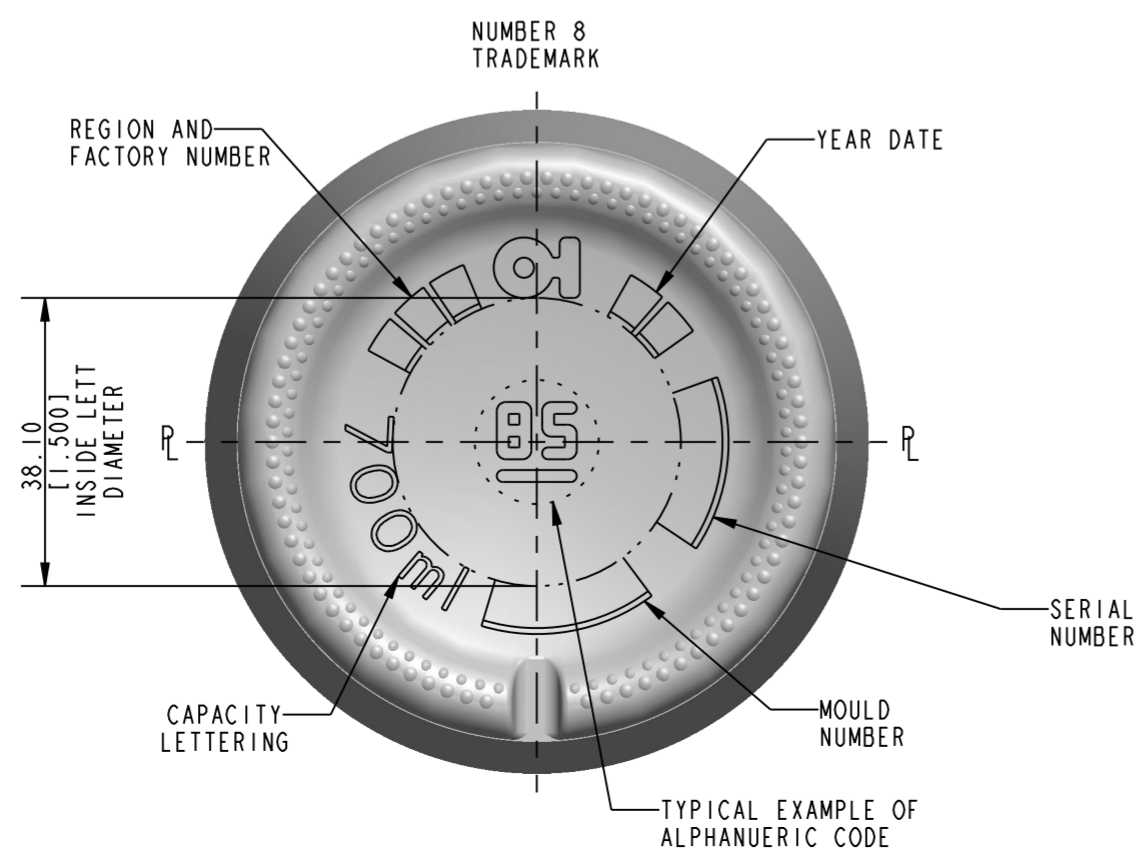
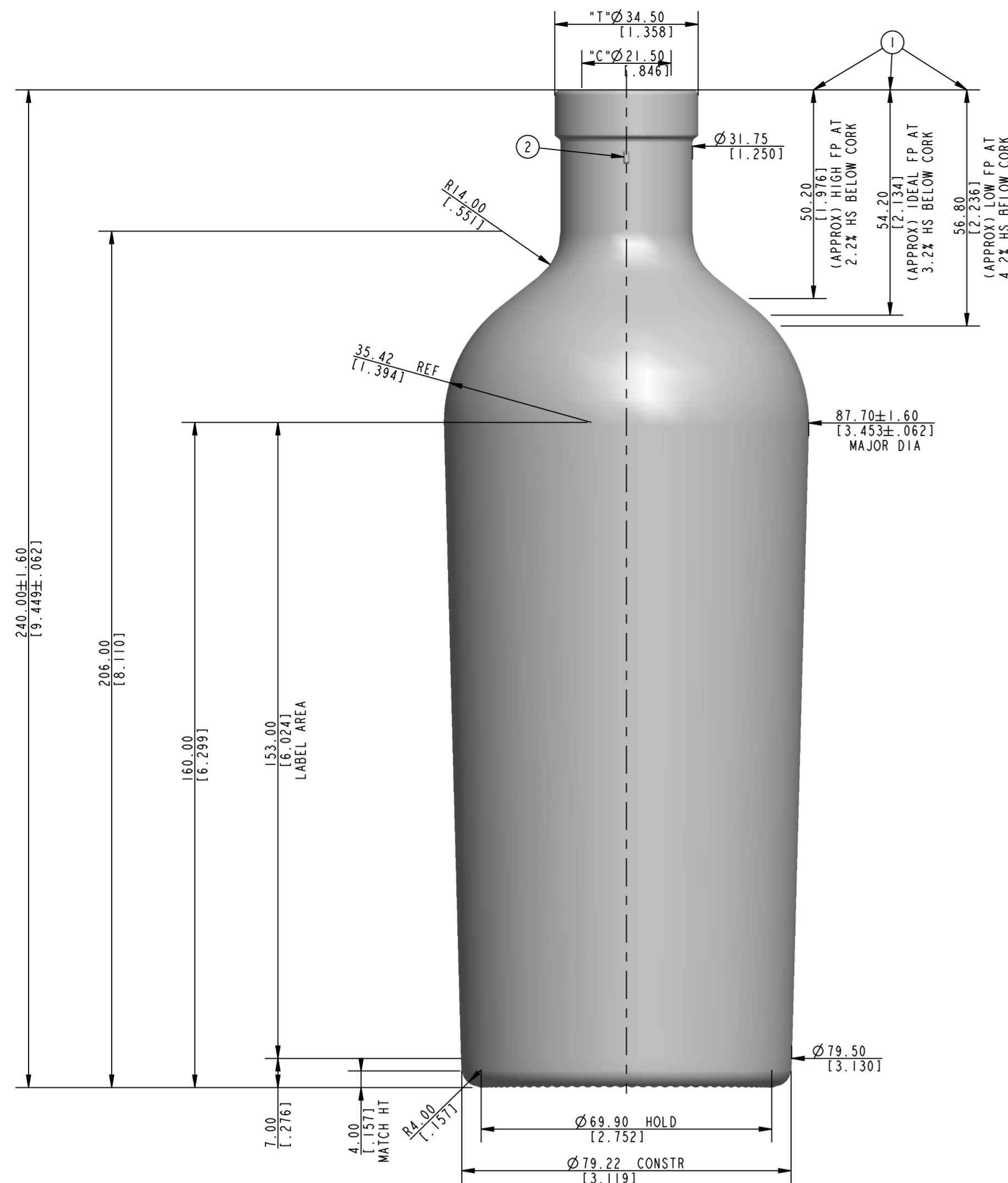
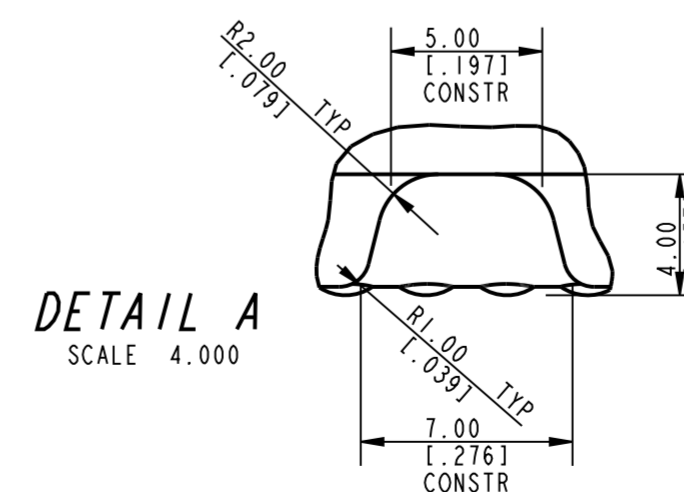
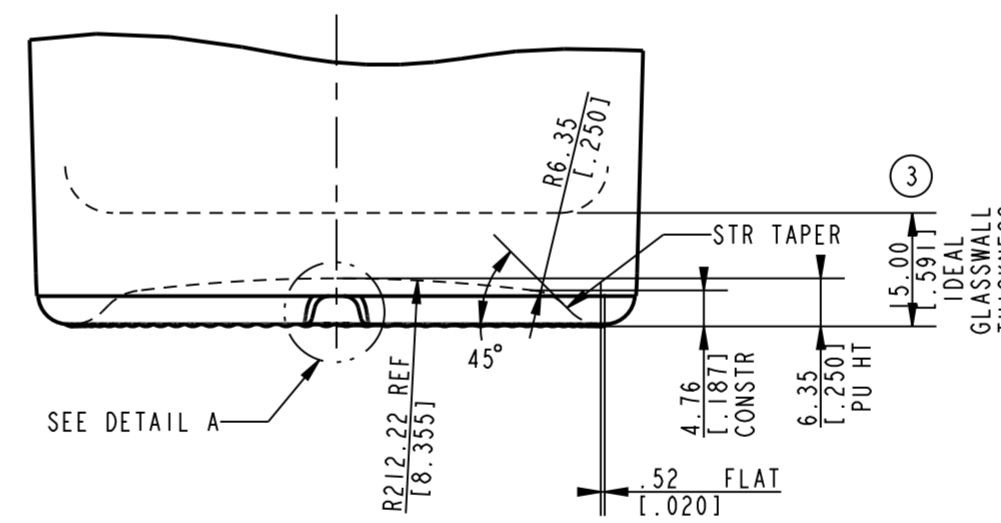
SPOTTING LUG TO APPEAR ON BOTTOM AS SHOWN.

BPMR-12 TO APPEAR ON BEARING SURFACE.

③ BOTTOM GLASSWALL THICKNESS TO HAVE FLAT APPEARANCE
AND TO BE CONSISTENT FROM SIDE TO SIDE.



SCALE 0.750



INFORMATION CONTAINED HEREIN CONSTITUTES PROPRIETARY CONFIDENTIAL INFORMATION OF OWENS-BROCKWAY GLASS CONTAINER INC. AND IS TO BE ACCEPTED ONLY SUBJECT TO THAT UNDERSTANDING. IT IS TO BE KEPT CONFIDENTIAL AND NOT TO BE COPIED, USED OR CONVEYED TO OTHERS WITHOUT OWENS-BROCKWAY GLASS CONTAINER INC WRITTEN AUTHORIZATION.

ALL LETTERING TO BE ROUND BOTTOM STYLE, RAISED IN GLASS, UNLESS OTHERWISE NOTED.

CAPACITY VALUES BASED ON WATER AT 20°C [68°F]

ALL NON TOLERANCE SIZES ARE FOR MOLD MANUFACTURE REFERENCE ONLY.

CONTAINER OVERFLOW CAPACITY (BRIMFUL)			
729.00 ml [24.650 FL OZ]			
CONTAINER RATED CAPACITY (FILLPOINT)			
700.00 ml ± 7.50 ml [23.670 FL OZ ± 0.254 FL OZ]			
CONTAINER WEIGHT			
775.00 g ± 28.50 g [27.337 OZ ± 1.005 OZ]			
FINISH DESIGNATION 034-3120-R099		MAX GAS VOLUME 0.0 Gas Vol	
PROCESS B&B	RETURNABLE NO	DESIGN REF. CO-6720	
COVET CLASSICS 700 ml FORTE			
DESIGNER	KDC	DATE	25 AUG 14
CHECKED	JDN	DATE	27 AUG 14
DRAWING NUMBER LA-45200		MOULD/SAP NUMBER LS-63	

No	DATE	REVISIONS	DESIGN/CHECK