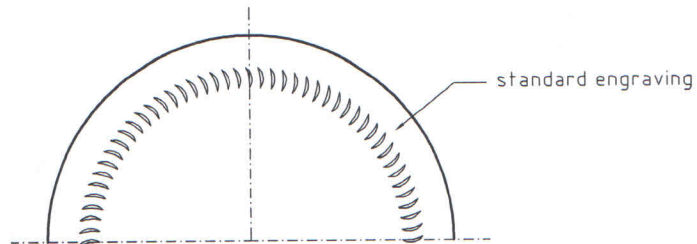
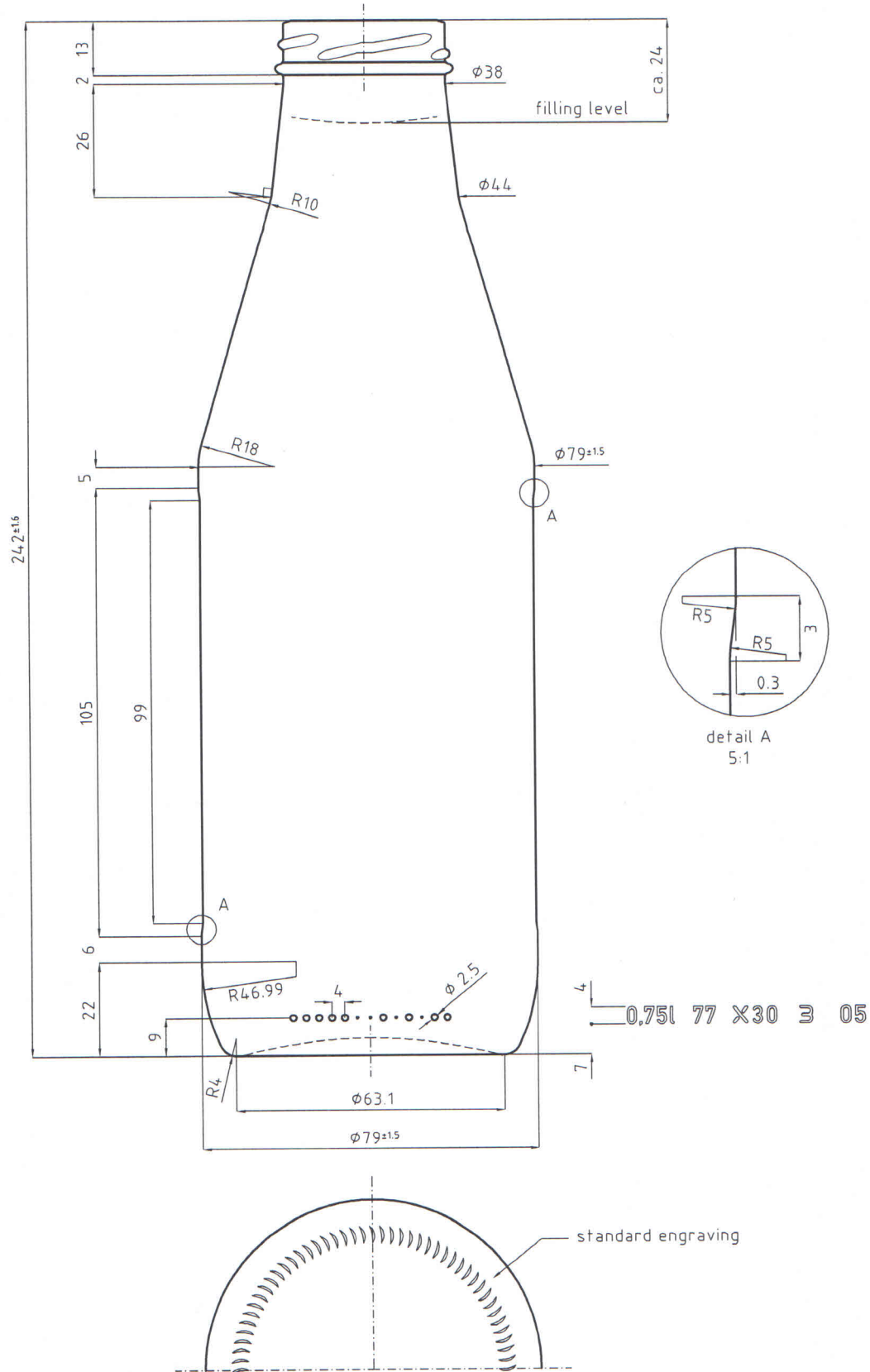


Container nr.: 30001533

Description: Bottle STD16\_750\_F1\_43T0

Reference nr.

7218



Copyright: REXAM Glass, Dongen BV TREAT CONFIDENTIALLY

Brimful cap. average : 772 ±3.5 ml.	Gravitycentre (empty): ca. 99.8 mm.	Colour : flint
Brimful cap. individual : 772 ±10 ml.	Critical speed (empty): ca. 0.31 m/s	Project : 2004-99a
Fillpoint capacity : ca. 750 ml.	Theor. tip angle : 18.2°	Designer : M.P.
Design glass weight : ca. 325 gr.	Theor. wall thickness : 2.33 mm.	Date : 07-10-'04
Finish : 43 mm. twist-off (GME 20.03)	<input checked="" type="checkbox"/> Non-refillable <input type="checkbox"/> Refillable	Scale : 1:1 (on A3)

Date	Revisions
77-0060	
Drawing number	