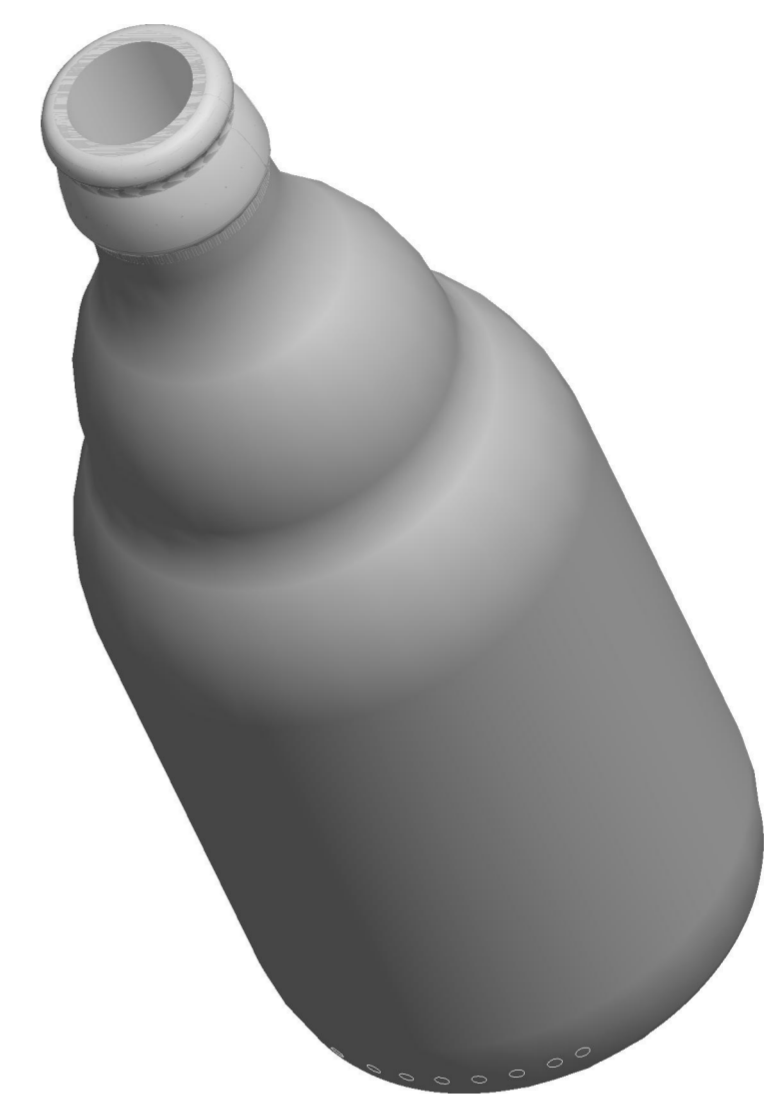
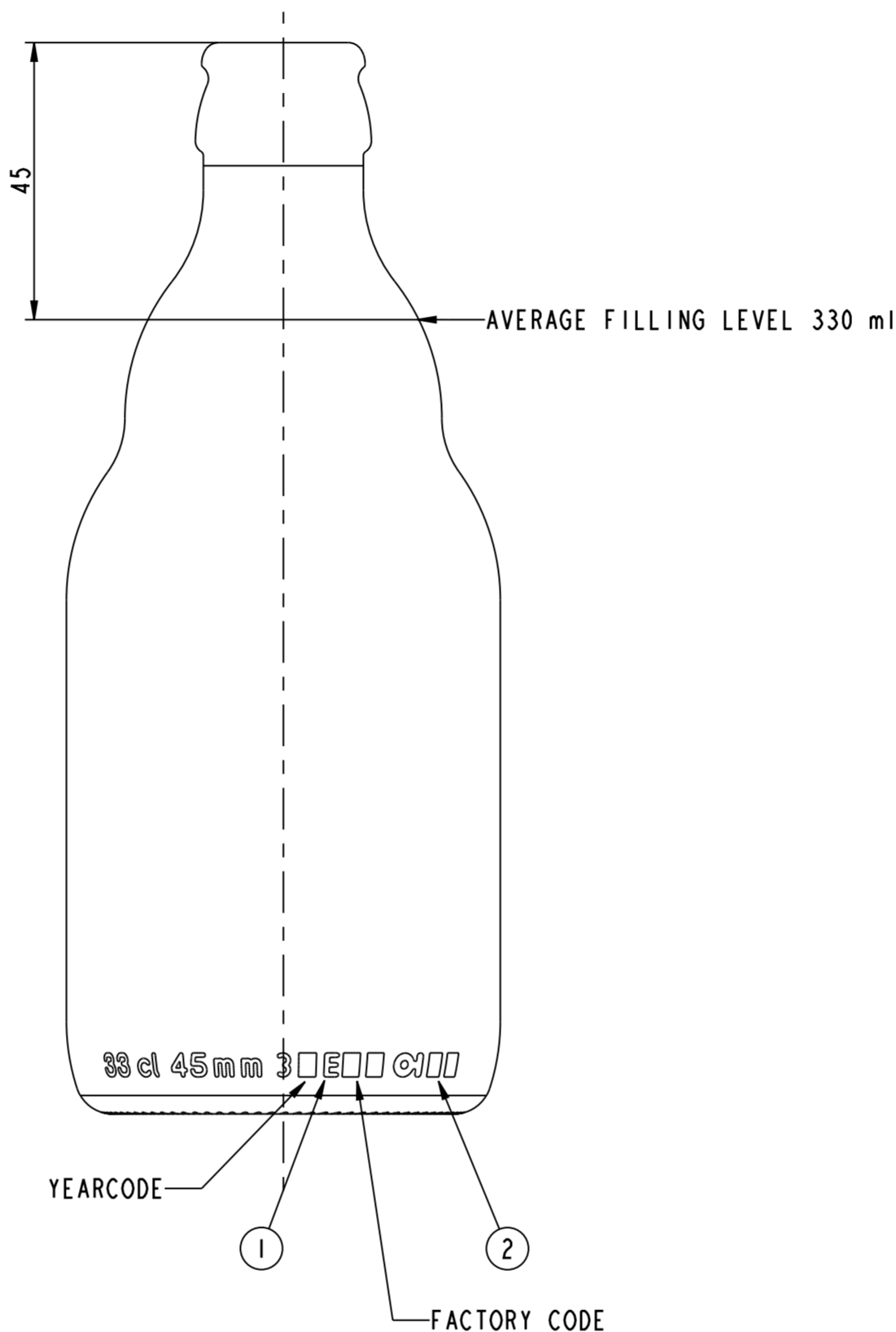
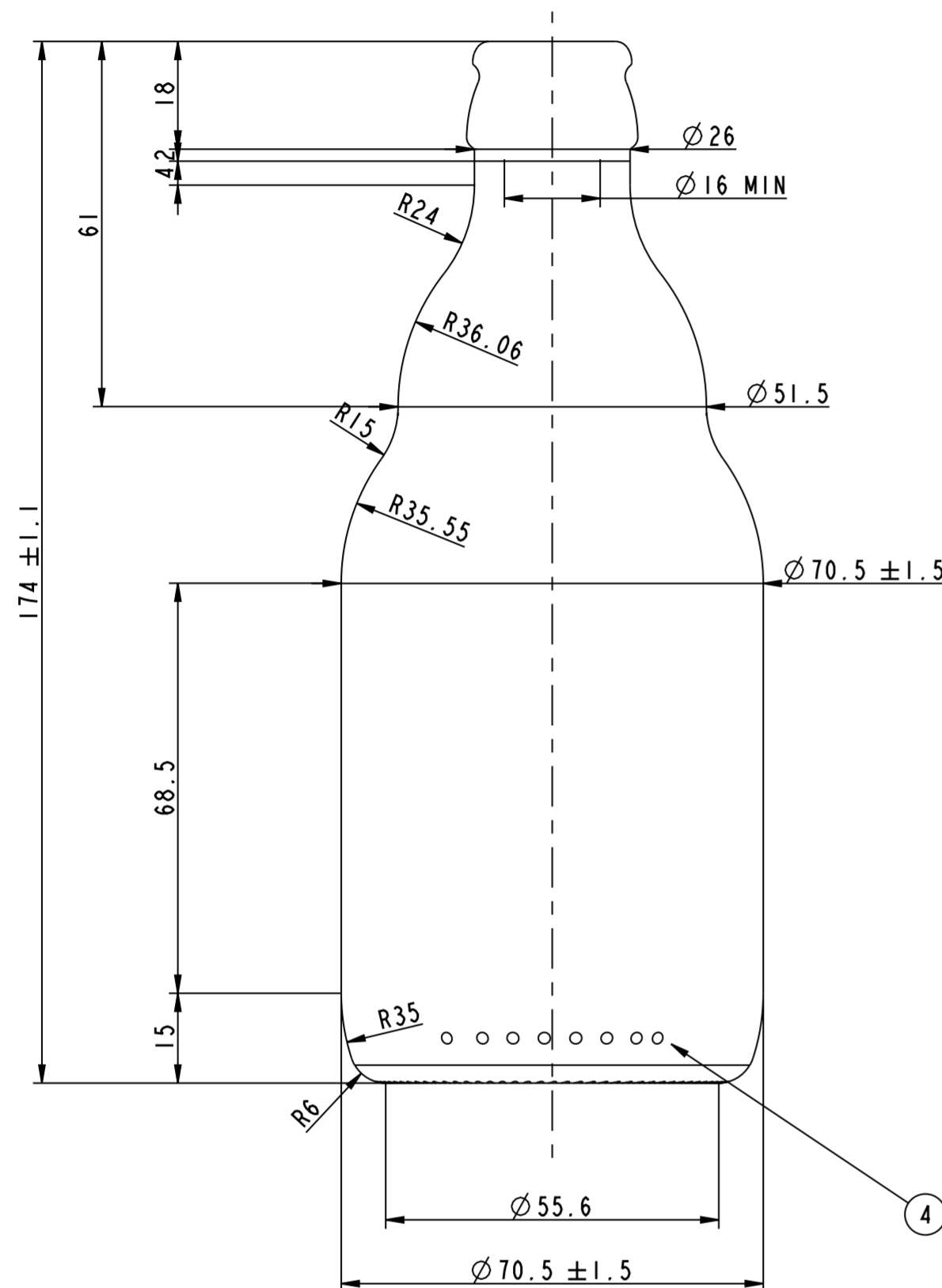
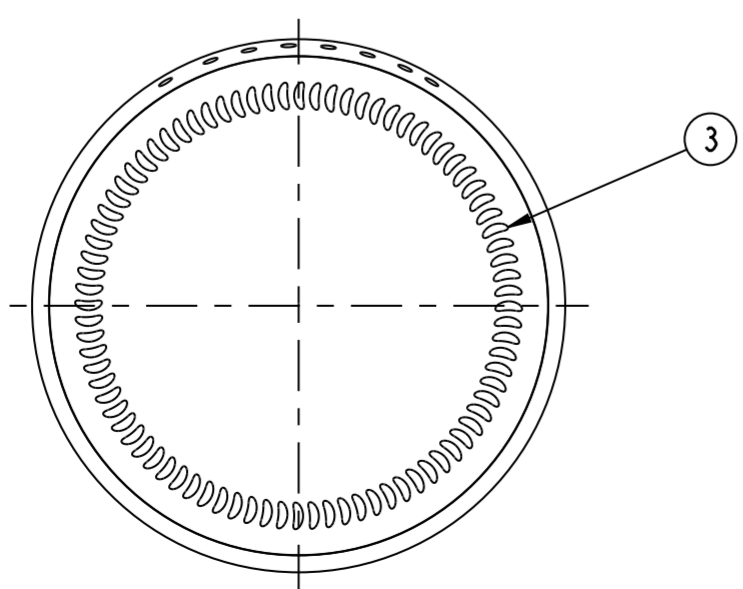


CONTAINER & MOULD ENGINEERING
EUROPE



NOTES:
 THIS DRAWING IS THE PROPERTY OF O-I AND
 MUST NOT BE REPRODUCED OR DISCLOSED
 WITHOUT O-I WRITTEN AUTHORIZATION.
 ONLY TOLERANCED DIMENSIONS ARE GUARANTEED.
 MANUFACTURING MARKINGS SHOWN ARE FOR ILLUSTRATIVE
 PURPOSES ONLY, ACTUAL MARKINGS ON CONTAINER
 MAY DIFFER, DEPENDANT ON LOCAL LEGISLATION.



1 = TRADEMARK
 2 = CAVITY No.
 3 = STIPPLING
 4 = CAVITY CODE

SCALE 1:1

CATEGORY BEER	TLT ANGLE 25.13°
MAX. VERTICALITY TOLERANCE 2.0 mm	MEASURING CONTAINER YES
FINISH SAP NUMBER 0586	FINISH REF. DIN 6094 / I - A - 26 1995
MINIMUM THROUGH BORE 16.0 mm	MAX FILLING TUBE ϕ 15 mm
CONTAINER OVERFLOW CAPACITY (BRIMFUL)	
345ml \pm 6,6ml	
CONTAINER RATED CAPACITY (FILLPOINT)	
330ml \pm 6,6ml	
CONTAINER WEIGHT	
303g APPROX.	
FINISH DESIGNATION NL_26_DIN 6094 / I_H180_0586	MAX GAS VOLUME
PROCESS	RETURNABLE YES
	DESIGN REF.

33 cl STEINI III RB

DESIGNER	WGAD	DATE	17-03-2009
CHECKED	RAV	DATE	17-03-2009

DRAWING NUMBER 080224	MOULD/SAP NUMBER 004732
---------------------------------	-----------------------------------

No	DATE	REVISIONS	DESIGN/CHECK
2	06-02-11	FINISH CHANGED	RAV
1	12-04-10	CHANGED SAP-CODE	RAV